

Specially designed CNC Rotary Table
for small compact machine

CNC ROTARY TABLE

+ 1 AXIS

High speed Z type is available!!

ULTRA SLIM CNC ROTARY TABLE

CNC205/CNCZ205

Thickness 98mm



NIKKEN

NIKKEN KOSAKUSHO WORKS, LTD.
5-1, 1-chome, Minamishinden, Daito-shi, Osaka-fu, Japan

Web: www.nikken-kosakusho.co.jp/en
Tel: +81-(0)72-869-5820 Fax: +81-(0)72-869-6220
e-mail: export@nikken-kosakusho.co.jp

CNC ROTARY TABLE CNC205/CNCZ205 **NIKKEN**



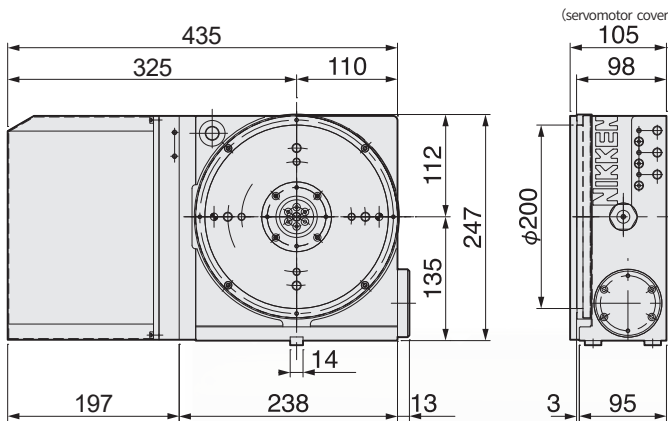
Slim designed rotary table with the dia.200mm.

Thickness is only 98mm.

54mm slimmer than conventional model. It's allowed to maximize the machining area, which is great advantage especially for small-compact machines.

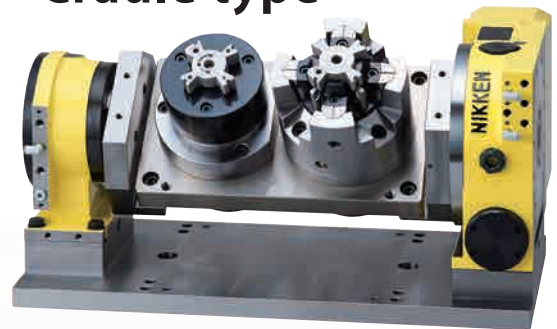
★6+1 port rotary joint is available

★It should be paired with support table



*Dimension : CNC205 with FANUC servomotor

(Sample application)
Cradle type



SPECIFICATIONS	New CNCZ205	CNC205
FACE PLATE DIA.	φ200 mm	φ200 mm
CLAMPING SYSTEM	Air-hydraulic	Air-hydraulic
CLAMPING TORQUE	380 Nm	380 Nm
ROTATION SPEED *Servo motor 3,000min ⁻¹	66.6 min ⁻¹	33.3 min ⁻¹
TOTAL REDUCTION RATIO	1/45	1/90
DRIVING TORQUE	58 Nm	72 Nm
INDEXING ACCURACY	±20 sec	±20 sec
REPEATABILITY	4 sec	4 sec
MAX. VERT. LOAD (Vertical)	100 kg (with support table)	100 kg (with support table)
NET WEIGHT	45 kg	45 kg