

Outfeed of band saw



Wood handling in outfeed of band saw

CONCEPT

JOULIN AERO, a world leading specialist in vacuum handling systems for over 50 years, proposing innovative solutions for all your handling needs:

- Stacking / destacking of products with multiple pick and place positions possible.
- No adjustment necessary depending on the product.
- Unaffected by splits, sawdust, wane and defects.



Wood handling in outfeed of band saw

Customized handling solution.

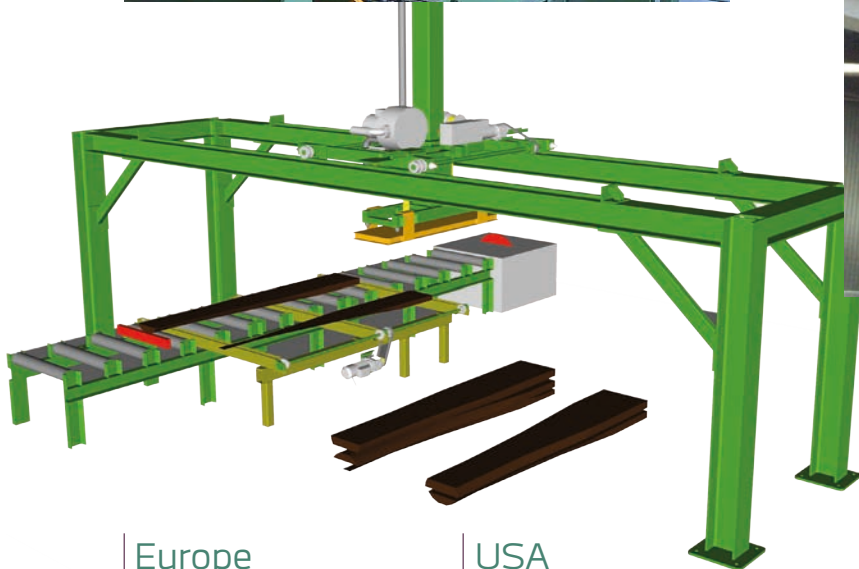
Joulin offers systems from the simplest to the most advanced, according to your needs and your budget.

Applications

- Speeds up to 10 cycles/min.
- Handles warped, grooved and molded parts as well as those with splits and holes.
- All species of wood: green or dry.

Benefits

- Wide range of manipulators : from simple and quick to complex systems.
- Lumber beams, sawn timbers, boules.
- Easy to install and use.
- Designed and manufactured in-house.
- Many options available.



Europe

17 avenue des Grenots
91150 ETAMPES - FRANCE

Tél. +33 (0)1 69 92 16 16
Fax +33 (0)1 64 94 21 35

USA

2551 HWY 70 SW - HICKORY
NC-28602

Phone: +(1)828 327 2290
Fax: +(1)828 327 8678



JOULIN
vacuum handling

contact: wood@joulin.com

www.joulin.com