

PLANOMAT XT ESSENTIAL

THE ENTRY-LEVEL MACHINE FOR SURFACE GRINDING



 **BLOHM**

A member of the UNITED GRINDING Group

PLANOMAT XT ESSENTIAL

DIMENSIONS

- 5 machine sizes with the following grinding ranges:
 - 400 × 800 mm
 - 400 × 1,200 mm
 - 600 × 800 mm
 - 600 × 1,200 mm
 - 600 × 2,000 mm¹

HARDWARE

- Fully modular system
- Precision linear guideways
- High quality, recirculating ballscrews

SOFTWARE

- Optimal operator guidance
- Program creation through menu-guided input masks

¹) coming soon

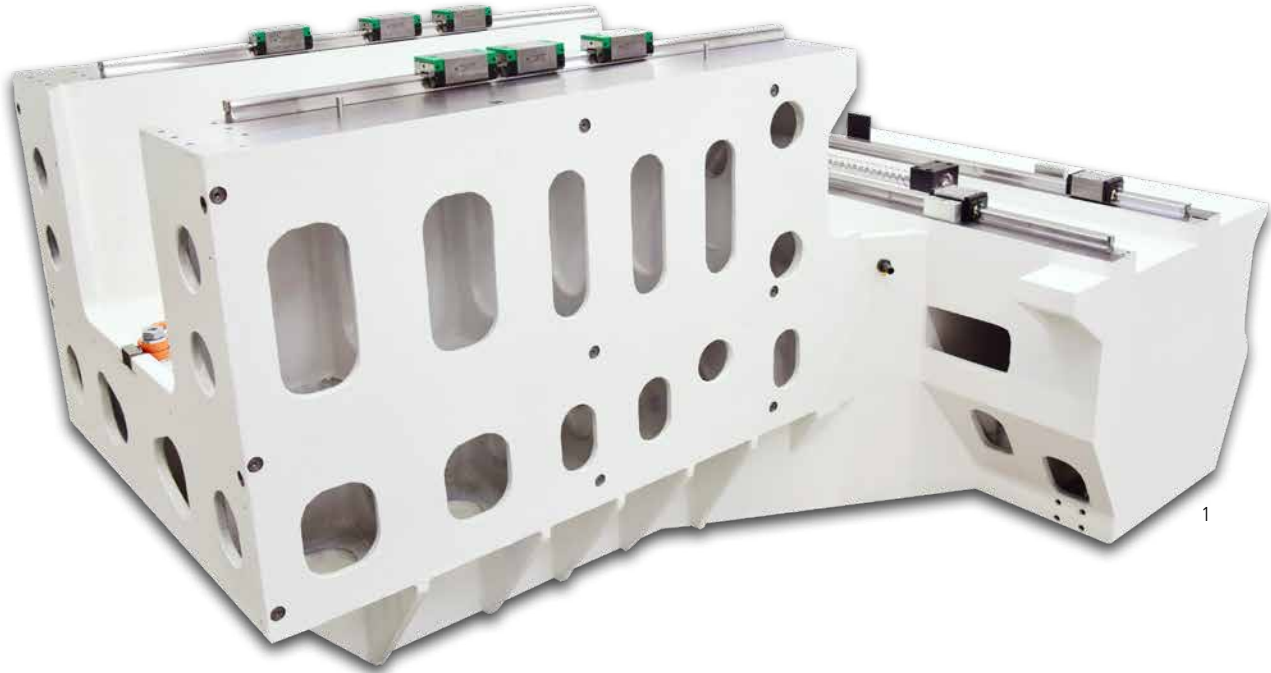


YOUR BENEFITS

- Easy and comfortable programming due to BLOHM single piece production with graphical operator guidance
- Highest accuracy and surface quality due to very high rigidity, minimal vibrations, minimized thermal influences
- Longevity due to high quality components
- Central access to the machine for production and service control via the use of UNITED GRINDING Digital Solutions™ products
- Easy to maintain thanks to maintenance doors in the work area housing

«The use of high-quality components from the modular system of our XT machine generation ensures high precision with a long service life.»

WELL-PROVEN CONSTRUCTION PRINCIPLES



«The comprehensive range of standard accessories and user-friendly application software enables quick adaptation to customer-specific production tasks.»

The 3-axis machine PLANOMAT XT Essential is optimized for the requirements of surface grinding and is aimed specifically at users who value excellent quality in surface grinding.

For this purpose, axis speeds and drive power have been adapted to the requirements and the number of available options has been reduced compared to its big sister PLANOMAT XT.

- 1 Machine bed
- 2 Recirculating ballscrew
- 3 Precision linear guideways

OPTIMUM DRESSING

By using process-optimized dressing methods, workpieces can be manufactured with high precision at short cycle times and with minimum grinding wheel wear.



▲ Table mounted dresser type PA-TL 200S for diamond rolls up to a width of 200 mm or for contour dressing with universal diamond dressing discs and a rough dressing disc.

Folding dresser for peripheral, lateral and profile dressing.
Pneumatic actuation prevents grinding wheel and protective
▼ hood from colliding with the dresser.



CNC CONTROLS

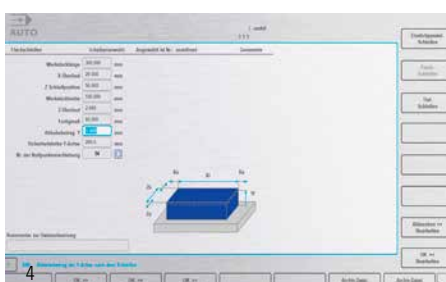


The comfortable solution for surface grinding applications

The best machines in a performance class offer more than just technically advanced components. Their high capabilities are made possible by the use of perfectly matched software and technology.

The CNC control Siemens MCU 1720 with graphical operator guidance especially developed for grinding applications guarantees an optimal process. The simple programming is supported by menu guided grinding and dressing cycles.

The software option GripsProfile is a comfortable tool for the automatic generation of contour dressing programs, especially for single piece and batch production.



- 1 Siemens MCU 1720 (grinding wheel basic data)
- 2 Determining the start position
- 3 Selection of the dressing method
- 4 Input of workpiece geometry

WE ARE HERE FOR YOU

Our products are designed to meet customer demands for as long as possible, they are intended to operate efficiently, reliably, and be available at any time.

From «Start up» through to «Retrofit» – our Customer Care is there for you throughout the working life of your machine. For this reason, you can rely on competent HelpLines worldwide and Service Engineers near you:

- We will provide you with fast, straight-forward support.
- We will help to increase your productivity.
- We work professionally, reliably and transparently.
- We will provide a professional solution to your problems.



Start up
Commissioning
Warranty extension



Qualification
Training
Production support



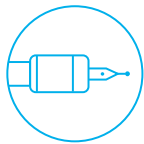
Prevention
Maintenance
Inspection



Service
Customer service
Customer consultation
HelpLine



Digital Solutions
Remote Service
Service Monitor
Production Monitor



Material
Spare parts
Replacement parts
Accessories



Rebuild
Machine overhaul
Assembly overhaul



Retrofit
Modifications
Retrofits

UNITED GRINDING DIGITAL SOLUTIONS™

We develop solutions to support you in simplifying processes, boosting your machines' efficiency and increasing overall productivity under the UNITED GRINDING Digital Solutions™ brand. Find out more

about UNITED GRINDING Digital Solutions™ services on our website in the Customer Care section.

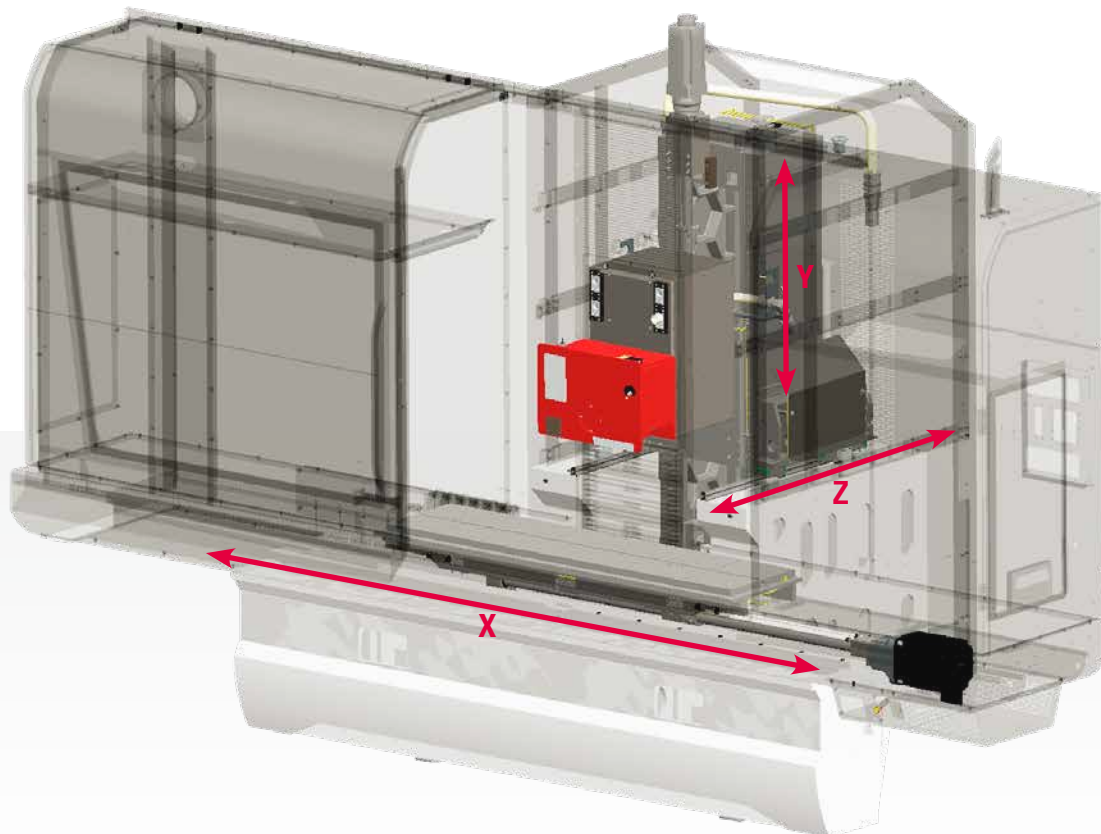
CUSTOMER CARE



TECHNICAL DATA

PLANOMAT XT Essential		408	412	608	612	620 ¹
Grinding range	mm	400 × 800	400 × 1,200	600 × 800	600 × 1,200	600 × 2,000
Table clamping area with auxiliary surface	mm	400 × 1,300	400 × 1,700	600 × 1,300	600 × 1,700	600 × 2,500
Distance table to spindle center	mm	950				
X-axis, machine table longitudinal travel, max.	mm	1,100	1,500	1,100	1,500	2,300
Feed rate	mm/min	30 ... 30,000				
Y-axis, wheel head vertical travel	mm	800				
Feed rate	mm/min	4 ... 2,000				
Z-axis, column cross travel	mm	360	360	560	560	560
Feed rate	mm/min	4 ... 2,000				
Grinding spindle drive, variable speed, AC motor	kW/rpm	11/3,500				
Grinding wheel size (d × w × bore)	mm	400 × 100 × 127				
Dimensions width	mm	4,000	4,800	4,000	4,800	6,400
depth, incl. electr. cabinet and panel	mm	3,000	3,000	3,430	3,430	3,430
height	mm	2,970	2,970	2,970	2,970	2,970
Machine weight, incl. electrical cabinets	kg	7,300	7,600	8,500	8,900	10,800

We reserve the right to make technical changes
¹) coming soon



BLOHM JUNG GMBH

Productivity, performance and precision – three characteristics that users worldwide associate with the surface and profile grinding machines from BLOHM and JUNG. Our machines have been in use worldwide for decades in widely varying fields of application and under the most diverse conditions. The experience gained from more than 35,000 machines delivered is constantly incorporated into further developments and innovations to increase the production efficiency of our customers even further.

The product portfolio of Blohm Jung GmbH ranges from surface grinding machines to application-oriented universal machines and customer-oriented production machines. Our service and technology special-

ists support our customers throughout the entire life cycle of the machines. From grinding tests through training and maintenance contracts to retrofits, we offer our customers prompt and personal advice.

In 2008, the two established brands BLOHM and JUNG merged under one roof. Blohm Jung GmbH thus bundled the extensive know-how and enables new, higher standards in the field of precision, quality as well as economic efficiency. As part of the UNITED GRINDING Group and with a network of worldwide representatives, Blohm Jung GmbH guarantees a global presence and proximity to the customer.



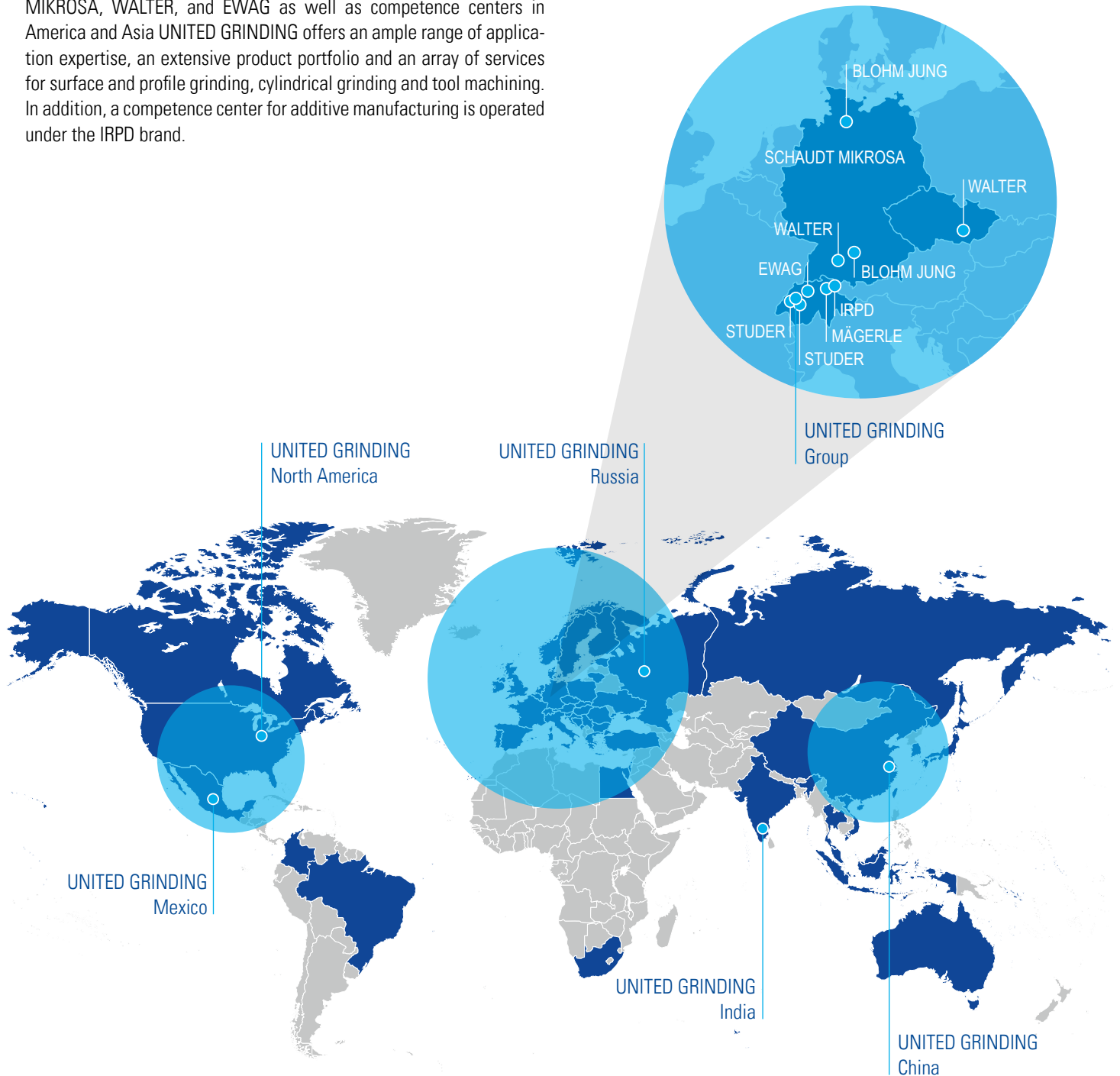
ABOUT US

UNITED GRINDING GROUP

UNITED GRINDING Group is one of the world's leading manufacturers of precision machines for grinding, eroding, laser, measuring and combination machining. With around 2,500 employees at more than 20 production, service and sales sites, the Group is organized in a customer-oriented and efficient way.

With its brands MÄGERLE, BLOHM, JUNG, STUDER, SCHAUDT, MIKROSA, WALTER, and EWAG as well as competence centers in America and Asia UNITED GRINDING offers an ample range of application expertise, an extensive product portfolio and an array of services for surface and profile grinding, cylindrical grinding and tool machining. In addition, a competence center for additive manufacturing is operated under the IRPD brand.

«We want to make our customers even more successful»





Blohm Jung GmbH

Location Hamburg
Kurt-A.-Körber-Chaussee 63-71 · 21033 Hamburg, Germany
Phone +49 40 33461 2000
sales-hh@blohmjung.com

Location Göppingen
Jahnstraße 80-82 · 73037 Göppingen, Germany
Phone +49 7161 6271 800
sales-gp@blohmjung.com

Please find worldwide contact information on
blohmjung.com

