

THE BEST OF BOTH WORLDS



**ANSI STANDARD
SHRINK-FIT TOOL HOLDERS**



**DIN STANDARD
SHRINK-FIT TOOL HOLDERS**

Briney, one of the original pioneers that introduced Shrink-Fit Tool Holders to the world now offers you choices. Whichever it may be, the original ANSI Style Shrink-Fit Tool Holder or the newer DIN Style Shrink-Fit Tool Holder. By manufacturing both styles, Briney is instantly compatible with our competitor's induction units and accessories. With Briney you have choices, so choose the style that best fits your needs, in stock and available for delivery.

Let Briney be your complete source for Shrink-Fit tooling & accessories.

Special orders are welcomed and available upon request. Let our team design a package to fit your needs.

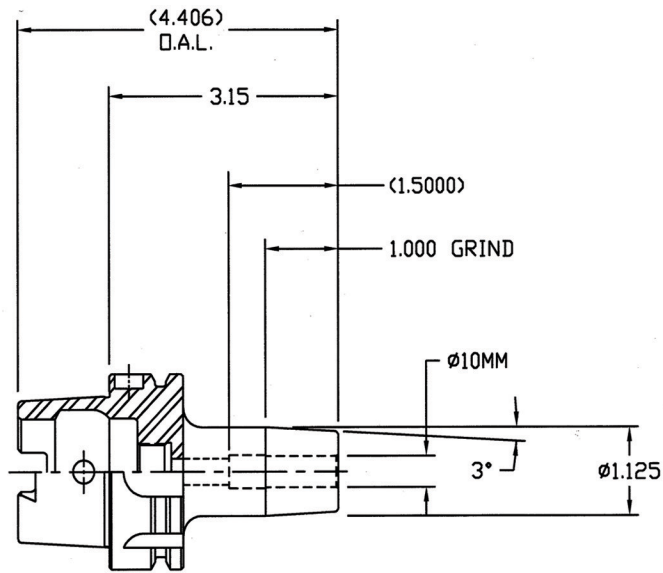
Briney
TOOLING SYSTEMS

700 E. SOPER RD. BAD AXE, MI 48413 ☎ 800-752-8035 • www.brineytooling.com
Email: briney@geminigroup.net

*Shrinker is a registered trademark of Tooling Innovations, Dana Point, CA



ANSI STYLE SHRINK-FIT TOOLHOLDER

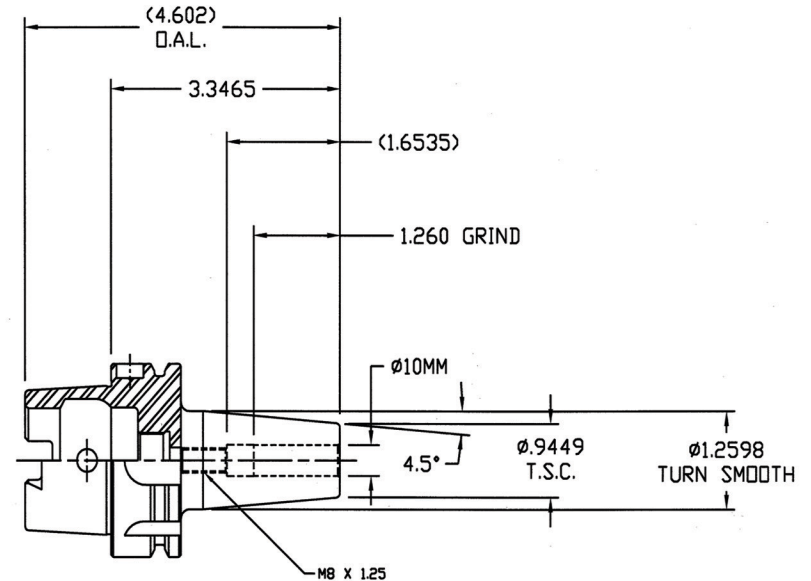


HSK63ASF-10M-80

ANSI STYLE SHRINK-FIT

- 3° Nose Angle
- Shorter Bearing Surface
- No Back-Up Screw
- More Interference In Shrinker Bore
- Bore Relief Is Longer
- Barrel Diameter Is Slightly Smaller

DIN STYLE SHRINK-FIT TOOLHOLDER



HSK63ASF-10M-85D

DIN STYLE SHRINK-FIT

- 4.5° Nose Angle
- Longer Bearing Surface
- Has Back-Up Screw
- Less Interference In Shrinker Bore
- Bore Relief Is Shorter
- Barrel Diameter Is Slightly Larger

AVAILABLE: HSK63A, V40 & V50 FLANGE, IN IMPERIAL & METRIC SIZES