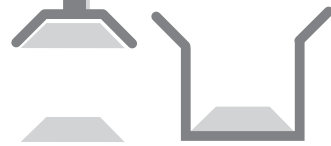


Versapack



Compact Case Erecting and Packing System

Based on the well established success of Endoline's 200 Series of case erectors and Quin System's revolutionary Rtheta™ high speed picking head, the exciting new **Versapack** opens up new opportunities to cost-effectively automate many packaging applications that have not been possible up until now.

- 100 picks per minute
- 20 cases per minute
- Compact footprint
- Wide range of applications
- Easy to set up & operate
- Cost effective automation



Endoline Machinery Ltd and Quin Systems Ltd have extended their co-operation by developing the new **Versapack** combined case erecting and packing machine, which incorporates the features of two established and successful machine ranges to produce a machine that is unique in terms of its capability.

The principle of **Versapack** is simple - an Endoline 220 series case erector frame is used to mount the picking head and product feed conveyor, which results in an extremely compact footprint. This has been possible due to the high speed of the Rtheta™ picking head, thereby allowing a simpler and more compact product collating area to be used.

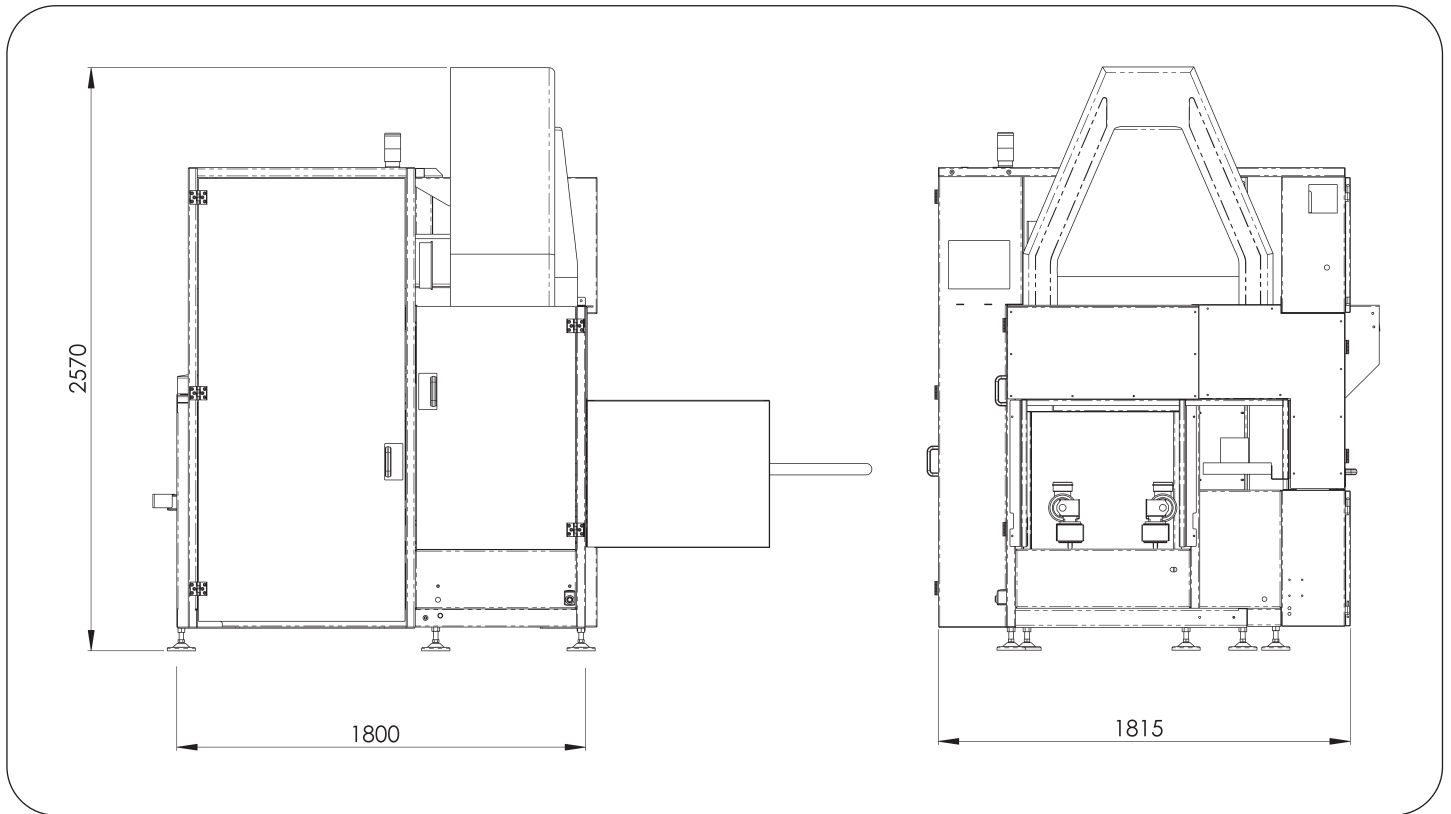


Versapack



Combined erecting and loading machines traditionally have compromises either because the case erecting part has been designed by engineers more accustomed to case packing, or vice versa. Versapack is different because it unites the expertise from two of the leading companies in these fields to produce a system without compromise.

- Compact footprint allowing automation in restricted areas
- Flexible layout; in-line, 90 degree, reverse case flow, are all possible
- Versatile design allows a wide range of product types to be packed including shelf-ready
- High speed operation allows automation with latest generation primary packing machines
- Graphic interface for easy set-up and quick changeover
- Cost effective design ensures low cost of ownership



Endoline Machinery Limited
Stratton Business Park, London Road
Biggleswade, Bedfordshire
SG18 8QB
United Kingdom

Telephone: +44 (0) 1767 316422
Facsimile: +44 (0) 1767 318033
E-mail: sales@endoline.co.uk
Website: www.endoline.co.uk

Contact us now to discuss your application

www.versapack.co.uk

E-mail: info@versapack.co.uk

Endoline Machinery Ltd: +44 (0) 1767 316422

Quin Systems Ltd: +44 (0) 118 977 1077

© Endoline reserves the right to change specifications without prior notice.

system range