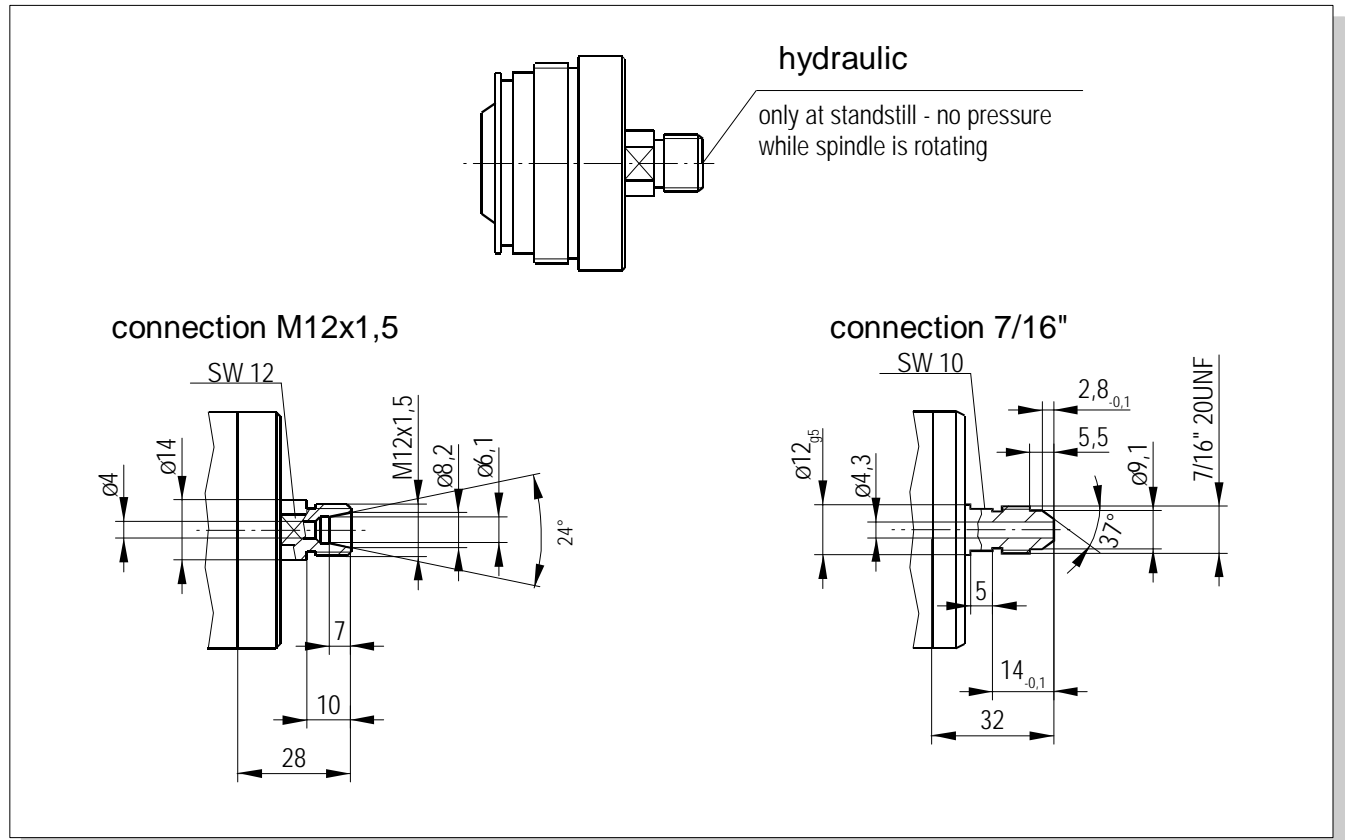


## dimension



## technical data

spindle speed max. ....	10000	min <sup>-1</sup>
hydraulic pressure max.; n = 0 min <sup>-1</sup> .....	160	bar

## features

- rotary union for hydraulic unclamping of the power drawbar

## code

1	1	connection M12x1,5
---	---	--------------------

1	2	connection 7/16"
---	---	------------------