

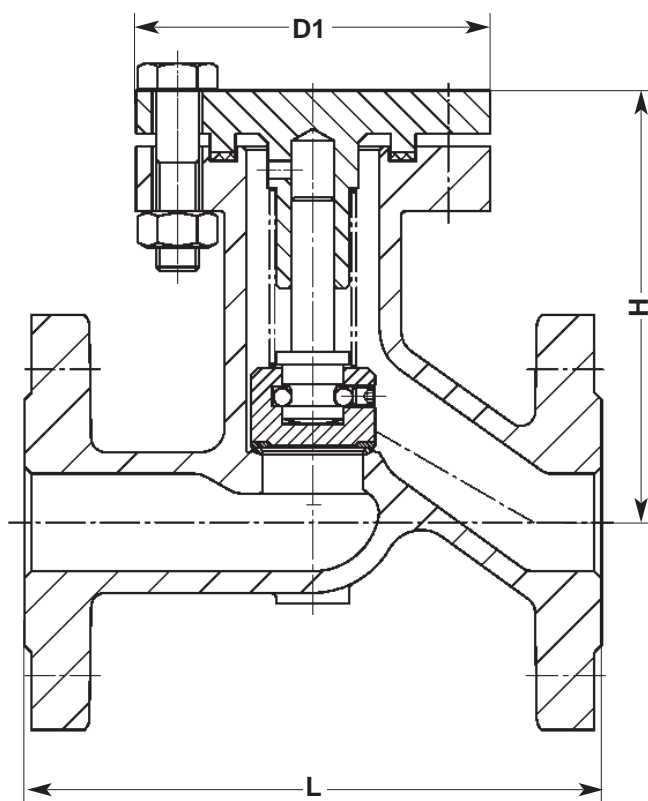
DN 15 - 50			
PN 40			
	C.S.	S.S.	Low temp.
Tmin.	-10°C	-200°C	-50°C
Tmax.	+450°C	+400°C	+300°C

Permissible working pressure acc. EN 1092 - Teil 1
Terms of delivery DIN 3230/EN 12266-1
Face to face dimension acc. EN 558-1

Available on request:

Special corrosion resistant materials for:
 Complete valve - Trim
 Soft sealing disc
 Heating jacket

Detailed information and more alternatives are given in appendix Part 11 of the catalogue.



Component	Material		
	C.S.	S.S.	Low temp.
	14.1-G-FL	14.1-G-FL-A4	14.1-G-FL-TT
Body	1.0619	1.4408	1.1138
Body seat	1.4370	Stellite 21	1.4370
Bonnet	1.0460	1.4571	1.0488
Disc	1.4571	1.4571	1.4571
Disc surface	Stellite 6	Stellite 6	Stellite 6
Bonnet gasket	1.4571/graphite		
Bolts	A2/70	A2/70	A2/70
Nuts	A2/70	A2/70	A2/70
Spring	1.4310	1.4571	1.4310
Stem	1.4571	1.4571	1.4571

DN	L [mm]	H [mm]	D1 [mm]	G [kg]
15	130	110	98	4
20	150	110	98	6
25	160	120	98	6
32	180	140	113	10
40	200	145	113	12
50	230	165	128	15

Non return valve, straight type with flanges acc. EN 1092-1; spring loaded, opening pressure around 0,2 bar. With camprofiled bonnet gasket made of stainless steel 1.4571 with a coating of pure graphite on both sides, housed in a tongue and grooved flange.

Carbon steel: Body made of cast material 1.0619, seat hardfaced with stainless steel 1.4370, disc made of stainless steel 1.4571, sealing surface hardfaced with stellite 6.

Stainless steel: Body made of cast material 1.4408, seat hardfaced with stellite 21, disc made of stainless steel 1.4571, sealing surface hardfaced with stellite 6.

Low temperature: Body made of cast material 1.1138, seat hardfaced with 1.4370, disc made of stainless steel 1.4571, sealing surface hardfaced with stellite 6.

Technical data as well as mounting and maintenance instructions are given in the appendix of the main catalogue.

Non Return Valve, flanged ends

14.1-G-FL

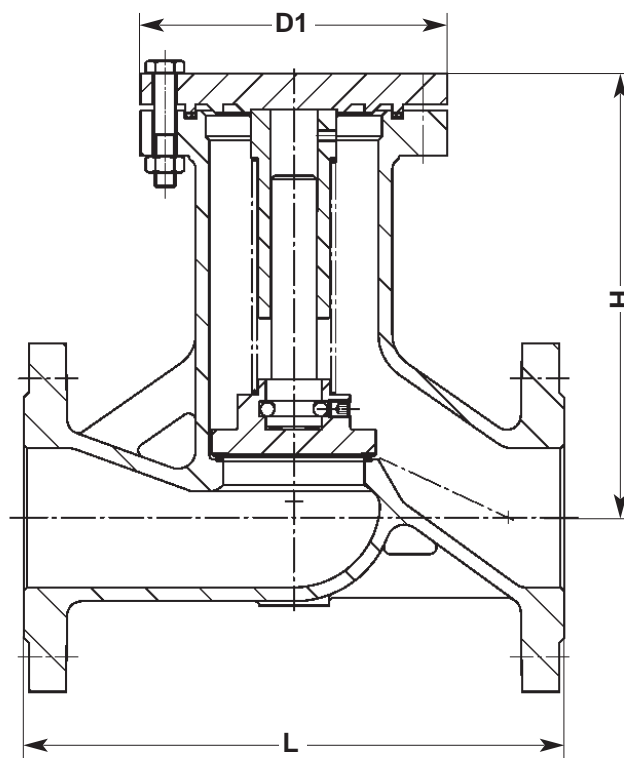
DN 65 - 400			
PN 40			
	C.S.	S.S.	Low temp.
Tmin.	-10°C	-200°C	-50°C
Tmax.	+450°C	+400°C	+300°C

Permissible working pressure acc. EN 1092 - Teil 1
Terms of delivery DIN 3230/EN 12266-1
Face to face dimension EN 558-1

Available on request:

Special corrosion resistant materials for:
 Complete valve - Trim
 Soft sealing disc
 Heating jacket

Detailed information and more alternatives are given in appendix Part 11 of the catalogue.



Component	Material		
	C.S.	S.S.	Low temp.
	14.1-G-FL	14.1-G-FL-A4	14.1-G-FL-TT
Body	1.0619	1.4408	1.1138
Body seat	1.4370	Stellite 21	1.4370
Bonnet	1.0425	1.4571	1.0566
Disc	1.4571/1.0425	1.4571	1.4571
Disc surface	St.6/St.21	Stellite 6	Stellite 6
Gasket	1.4571/graphite		
Bolts	A2/70	A2/70	A2/70
Nuts	A2/70	A2/70	A2/70
Spring	1.4310	1.4571	1.4310
Stem	1.4571	1.4571	1.4571

DN	L [mm]	H [mm]	D1 [mm]	G [kg]
65	290	190	143	22
80	310	255	176	35
100	350	260	210	52
125	400	270	250	64
150	480	415	308	113
200	600	380	365	160
250	730	530	435	210
300	850	530	515	320
350	980	530	584	446
400	1100	545	648	614

Non return valve, straight type with flanges acc. EN 1092-1; spring loaded, opening pressure around 0,2 bar. With camprofiled bonnet gasket made of stainless steel 1.4571 with a coating of pure graphite on both sides, housed in a tongue and grooved flange.

Carbon steel: Body made of cast material 1.0619, seat hardfaced with stainless steel 1.4370, disc made of stainless steel 1.4571, hardfaced with stellite 6 up to DN 100; above made of 1.0425, hardfaced with stellite 21.

Stainless steel: Body made of cast material 1.4408, seat hardfaced with stellite 21, disc made of stainless steel 1.4571, sealing surface hardfaced with stellite 6.

Low temperature: Body made of cast material 1.1138, seat hardfaced with 1.4370, disc made of stainless steel 1.4571, sealing surface hardfaced with stellite 6.

Technical data as well as mounting and maintenance instructions are given in the appendix of the main catalogue.

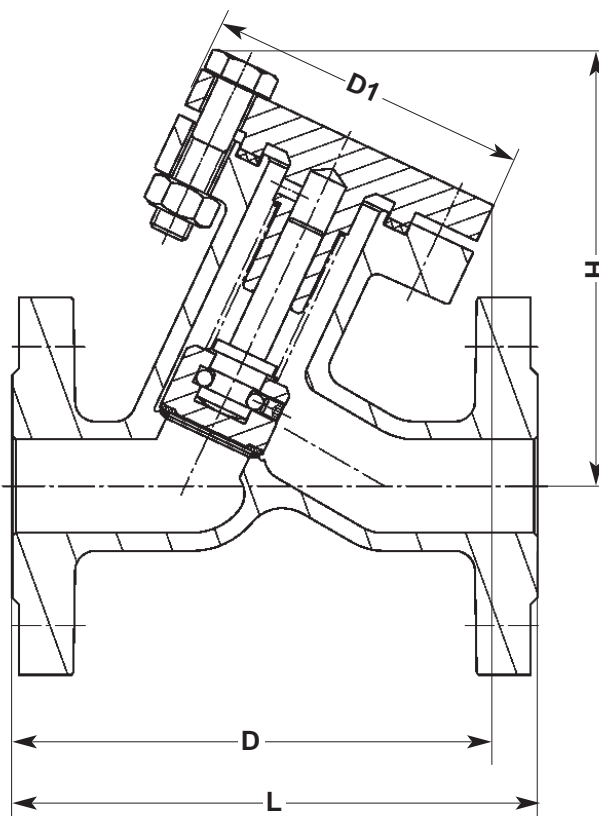
DN 15 - 50			
PN 40			
	C.S.	S.S.	Low temp.
Tmin.	-10°C	-200°C	-50°C
Tmax.	+450°C	+400°C	+300°C

Permissible working pressure acc. EN 1092 - Teil 1
Terms of delivery DIN 3230/EN 12266-1
Face to face dimension acc. EN 558-1

Available on request:

Special corrosion resistant materials for:
 Complete valve - Trim
 Soft sealing disc
 Heating jacket

Detailed information and more alternatives are given in appendix Part 11 of the catalogue.



Component	Material		
	C.S.	S.S.	Low temp.
	14.1-S-FL	14.1-S-FL-A4	14.1-S-FL-TT
Body	1.0619	1.4408	1.1138
Body seat	1.4370	Stellite 21	1.4370
Bonnet	1.0460	1.4571	1.0488
Disc	1.4571	1.4571	1.4571
Disc surface	Stellite 6	Stellite 6	Stellite 6
Bonnet gasket	1.4571/graphite		
Bolts	A2/70	A2/70	A2/70
Nuts	A2/70	A2/70	A2/70
Spring	1.4310	1.4571	1.4310
Stem	1.4571	1.4571	1.4571

DN	L [mm]	D [mm]	H [mm]	D1 [mm]	G [kg]
15	130	145	130	98	4
20	150	140	130	98	6
25	160	150	135	98	6
32	180	170	155	113	10
40	200	180	155	113	12
50	230	215	180	128	15

Non return valve, y- type with flanges acc. EN 1092-1; spring loaded, opening pressure around 0,2 bar. With camprofiled bonnet gasket made of stainless steel 1.4571 with a coating of pure graphite on both sides, housed in a tongue and grooved flange.

Carbon steel: Body made of cast material 1.0619, seat hardfaced with stainless steel 1.4370, disc made of stainless steel 1.4571, sealing surface hardfaced with stellite 6.

Stainless steel: Body made of cast material 1.4408, seat hardfaced with stellite 21, disc made of stainless steel 1.4571, sealing surface hardfaced with stellite 6.

Low temperature: Body made of cast material 1.1138, seat hardfaced with 1.4370, disc made of stainless steel 1.4571, sealing surface hardfaced with stellite 6.

Technical data as well as mounting and maintenance instructions are given in the appendix of the main catalogue.

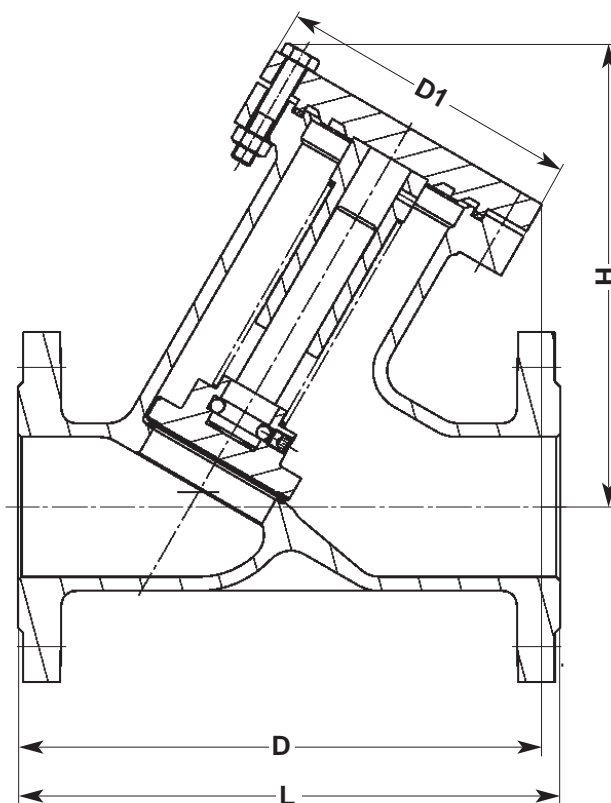
DN 65 - 400			
PN 40			
	C.S.	S.S.	Low temp.
Tmin.	-10°C	-200°C	-50°C
Tmax.	+450°C	+400°C	+300°C

Permissible working pressure acc. EN 1092 - Teil 1
Terms of delivery DIN 3230/EN 12266-1
Face to face dimension EN 558-1

Available on request:

Special corrosion resistant materials for:
 Complete valve - Trim
 Soft sealing disc
 Heating jacket

Detailed information and more alternatives are given in appendix Part 11 of the catalogue.



Component	Material		
	C.S.	S.S.	Low temp.
	14.1-S-FL	14.1-S-FL-A4	14.1-S-FL-TT
Body	1.0619	1.4408	1.1138
Body seat	1.4370	Stellite 21	1.4370
Bonnet	1.0425	1.4571	1.0566
Disc	1.4571/1.0425	1.4571	1.4571
Disc surface	St.6/St.21	Stellite 6	Stellite 6
Gasket	1.4571/graphite		
Bolts	A2/70	A2/70	A2/70
Nuts	A2/70	A2/70	A2/70
Spring	1.4310	1.4571	1.4310
Stem	1.4571	1.4571	1.4571

DN	L [mm]	D [mm]	H [mm]	D1 [mm]	G [kg]
65	290	260	195	143	22
80	310	300	265	176	35
100	350	340	285	210	52
125	400	375	320	250	64
150	480	525	440	308	113
200	600	595	475	365	160
250	730	805	665	435	210
300	850	870	700	515	320
350	980	945	750	584	446
400	1100	990	780	648	614

Non return valve, y- type with flanges acc. EN 1092-1; spring loaded, opening pressure around 0,2 bar. With camprofiled bonnet gasket made of stainless steel 1.4571 with a coating of pure graphite on both sides, housed in a tongue and grooved flange.

Carbon steel: Body made of cast material 1.0619, seat hardfaced with stainless steel 1.4370, disc made of stainless steel 1.4571, sealing surface hardfaced with stellite 6 up to DN 100; above made of 1.0425, hardfaced with stellite 21.

Stainless steel: Body made of cast material 1.4408, seat hardfaced with stellite 21, disc made of stainless steel 1.4571, sealing surface hardfaced with stellite 6.

Low temperature: Body made of cast material 1.1138, seat hardfaced with 1.4370, disc made of stainless steel 1.4571, sealing surface hardfaced with stellite 6.

Technical data as well as mounting and maintenance instructions are given in the appendix of the main catalogue.