
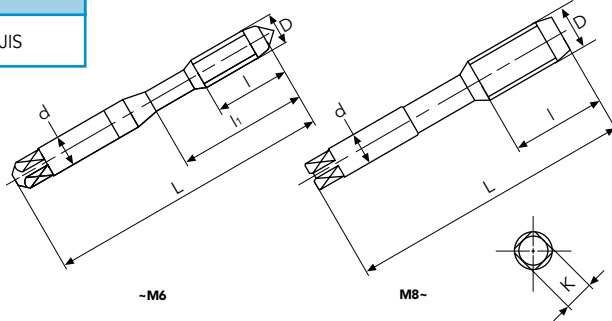


CODICE · ITEM NO. ARTIKEL NR. · RÉFÉRENCE	DESCRIZIONE · DESCRIPTION EZEICHUNG · DESCRIPTION	PAGINA · PAGE SEITE · PAGE	
LS-HT	M - JIS LS-HT HSSE	117	
LS-HT	MF - JIS LS-HT HSSE	118	
LS-PO	M - JIS LS-PO HSSE	117	
LS-PO	MF - JIS LS-PO HSSE	118	
LS-SP	M - JIS LS-SP 40° HSSE	117	
LS-SP	MF - JIS LS-SP 40° HSSE	118	
LS-SP-LH	M - JIS LS-SP-LH 40° HSSE	117	
LS-SP-LH	MF - JIS LS-SP-LH 40° HSSE	118	
LS-N-RS	M - JIS LS-N-RS ROLL HSSE	119	
LS-N-RZ	M - JIS LS-N-RZ ROLL HSSE	119	
LS-PF	G - JIS HT HSSE	120	
PS-L	Rp - JIS HT HSSE	121	
PS-XL	Rp - JIS HT HSSE	121	
PT-L	Rc - JIS HT HSSE	122	
PT-XL	Rc - JIS HT HSSE	122	

- MASCHI A MACCHINA - SERIE LUNGA**
- MACHINE TAPS - LONG**
- MASCHINENGWINDEBOHRER - LANG**
- TARAUDS MACHINE - LONGS**

M
 JIS



GRUPPI MATERIALE · MATERIAL GROUPS								2	3	5	13	14	1	2	3	5	1	2	3	5	1	2	3	5
WERKSTOFFE GRUPPE · GROUPES MATIÈRE								16	18	19	15	20	15	20	15	20	15	20						
CODICE / ITEM NO. / ARTIKEL NR. / RÉFÉRENCE								LS-HT				LS-PO				LS-SP				LS-SP-LH				
TIPO / TYPE / TYP / TYPE								STR				PO				SP40°				SP-LH40°				
MATERIALE / MATERIAL / WERKSTOFF / MATIÈRE								HSSE				HSSE				HSSE				HSSE				
RIVESTIMENTO / COATING / BESCHICHTUNG / REVÊTEMENT								BR				BR				BR				BR				
NORMA / NORM / NORM / NORME								JIS				JIS				JIS				JIS				
TOLLERANZA / TOLERANCE / TOLERANZ / TOLÉRANCE								P CLASS*				P CLASS*				P CLASS*				P CLASS*				
IMBOCCO / CHAMFER / ANSCHNITT / ENTRÉE								1.5P				5P				2.5P				2.5P				
D	p	Ø	L	l	I1	d	k	Stock	Stock	Stock	Stock	Stock	Stock	Stock	Stock	Stock	Stock	Stock	Stock	Stock	Stock	Stock	Stock	
M 3	0.5	2.5	100	11	18	4	3.2	○ (P1)	● (P2)	● (P1)	△ (P1)													
M 4	0.7	3.3	100	13	21	5	4	○ (P2)	● (P2)	● (P2)	△ (P2)													
M 5	0.8	4.2	100	16	25	5.5	4.5	○ (P2)	● (P2)	● (P2)	△ (P2)													
M 6	1	5	100	19	30	6	4.5	○ (P2)	● (P2)	● (P2)	△ (P2)													
M 8	1.25	6.8	100	22		6.2	5	○ (P2)	● (P3)	● (P2)														
M 3	0.5	2.5	150	11	18	4	3.2	△ (P1)	● (P2)	● (P1)														
M 4	0.7	3.3	150	13	21	5	4	○ (P2)	● (P2)	● (P2)														
M 5	0.8	4.2	150	16	25	5.5	4.5	○ (P2)	● (P2)	● (P2)														
M 6	1	5	150	19	30	6	4.5	● (P2)	● (P2)	● (P2)	△ (P2)													
M 8	1.25	6.8	150	22		6.2	5	● (P2)	● (P3)	● (P2)	△ (P2)													
M10	1.5	8.5	150	24		7	5.5	● (P2)	● (P3)	● (P2)	△ (P2)													
M12	1.75	10.3	150	29		8.5	6.5	● (P2)	● (P4)	● (P2)	△ (P2)													
M14	2	12	150	30		10.5	8	○ (P2)	● (P4)	● (P2)	△ (P2)													
M16	2	14	150	32		12.5	10	○ (P2)	● (P4)	● (P2)	△ (P2)													
M18	2.5	15.5	150	37		14	11	△ (P3)	● (P4)	● (P3)														
M20	2.5	17.5	150	37		15	12	○ (P3)	● (P4)	● (P3)														
M10	1.5	8.5	200	24		7	5.5	○ (P2)	△ (P3)	△ (P2)														
M12	1.75	10.3	200	29		8.5	6.5	○ (P2)	● (P4)	● (P2)														
M14	2	12	200	30		10.5	8	△ (P2)	△ (P4)	● (P2)														
M16	2	14	200	32		12.5	10	○ (P2)	● (P4)	● (P2)														
M18	2.5	15.5	200	37		14	11	△ (P3)	△ (P4)	△ (P3)														
M20	2.5	17.5	200	37		15	12	○ (P3)	● (P4)	● (P3)														
M22	2.5	19.5	200	38		17	13	△ (P3)	△ (P4)	△ (P3)														
M24	3	21	200	45		19	15	○ (P3)	● (P4)	● (P3)														

*P CLASS page 65

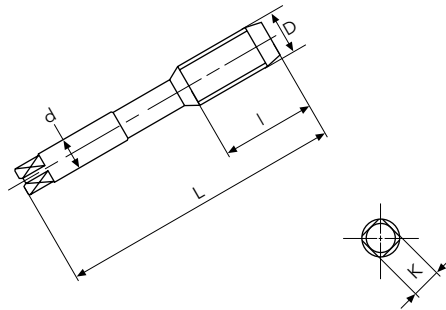


M 3 ~ M 6	3	3	3	3
M 8 ~ M16	4	3	3	3
M18 ~ M24	4	3	4	4

- MASCHI A MACCHINA - SERIE LUNGA**
- MACHINE TAPS - LONG**
- MASCHINENGWINDEBOHRER - LANG**
- TARAUDS MACHINE - LONGS**

MF

JIS



GRUPPI MATERIALE · MATERIAL GROUPS WERKSTOFFE GRUPPE · GROUPES MATIÈRE		2 3 5 13 14 16 18 19	1-3 5 15-20	1-3 5 15-20	1-3 5 15-20					
CODICE / ITEM NO. / ARTIKEL NR. / RÉFÉRENCE		LS-HT	LS-PO	LS-SP	LS-SP-LH					
TIPO / TYPE / TYP / TYPE		STR	PO	SP40°	SP-LH40°					
MATERIALE / MATERIAL / WERKSTOFF / MATIÈRE		HSSE	HSSE	HSSE	HSSE					
RIVESTIMENTO / COATING / BESCHICHTUNG / REVÊTEMENT		BR	BR	BR	BR					
NORMA / NORM / NORM / NORME		JIS	JIS	JIS	JIS					
TOLLERANZA / TOLERANCE / TOLERANZ / TOLÉRANCE		P CLASS*	P CLASS*	P CLASS*	P CLASS*					
IMBOCCO / CHAMFER / ANSCHNITT / ENTRÉE		1.5P	5P	2.5P	2.5P					
D	p	Ø	L	l	d	k	Stock	Stock	Stock	Stock
M10	1.25	8.8	150	24	7	5.5	○ (P2)	● (P3)	● (P2)	△ (P2)
M12	1.5	10.5	150	29	8.5	6.5	△ (P2)	△ (P3)	△ (P2)	△ (P2)
M12	1.25	10.8	150	29	8.5	6.5	○ (P2)	△ (P4)	● (P2)	△ (P2)
M14	1.5	12.5	150	30	10.5	8	○ (P2)	△ (P3)	● (P2)	△ (P2)
M16	1.5	14.5	150	32	12.5	10	○ (P2)	● (P3)	● (P2)	△ (P2)
M18	1.5	16.5	150	37	14	11	○ (P2)	△ (P4)	○ (P2)	
M20	1.5	18.5	150	37	15	12	○ (P3)	○ (P4)	○ (P3)	
M22	1.5	20.5	150	38	17	13	△ (P3)	○ (P4)	○ (P3)	
M24	1.5	22.5	150	45	19	15	○ (P3)	△ (P4)	○ (P3)	
M12	1.5	10.5	200	24	8.5	6.5	△ (P2)	△ (P3)	△ (P2)	
M12	1.25	10.8	200	29	8.5	6.5	△ (P2)	△ (P4)	△ (P2)	
M14	1.5	12.5	200	30	10.5	8	△ (P2)	△ (P3)	△ (P2)	
M16	1.5	14.5	200	32	12.5	10	△ (P2)	△ (P3)	△ (P2)	
M18	1.5	16.5	200	37	14	11	△ (P2)	△ (P4)	△ (P2)	
M20	1.5	18.5	200	37	15	12	△ (P3)	△ (P4)	△ (P3)	
M22	1.5	20.5	200	38	17	13	△ (P3)	△ (P4)	△ (P3)	
M24	1.5	22.5	200	45	19	15	△ (P3)	△ (P4)	△ (P3)	

*P CLASS page 65



M10 ~ M16	4	3	3	3
M18 ~ M24	4	3	4	4

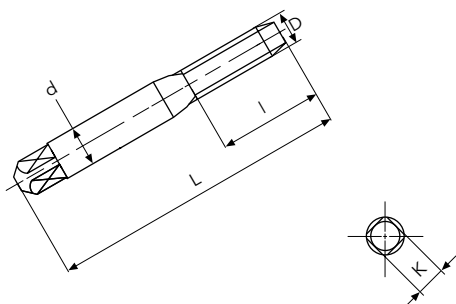
MASCHI A RULLARE - SERIE LUNGA

ROLL TAPS - LONG

MASCHINENGWINDEFORMER - LANG

TARAUDS À REFOULER - LONGS

M
JIS



MATERIAI NON FERROSI · NON FERROUS MATERIALS
NICHTEISEN MATERIAL · MATIÈRES NON-FERREUSES

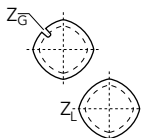


ACCIAIO · STEEL · STAHL · ACIER



GRUPPI MATERIALE · MATERIAL GROUPS WERKSTOFFE GRUPPE · GROUPES MATIÈRE							15 16 17	1 2 9 10
CODICE / ITEM NO. / ARTIKEL NR. / RÉFÉRENCE							LS-N-RS	LS-N-RZ
TIPO / TYPE / TYP / TYPE							N-RS	N-RZ
MATERIALE / MATERIAL / WERKSTOFF / MATIÈRE							HSSE	HSSE
RIVESTIMENTO / COATING / BESCHICHTUNG / REVÊTEMENT							NI	OX
NORMA / NORM / NORM / NORME							JIS	JIS
TOLLERANZA / TOLERANCE / TOLERANZ / TOLÉRANCE							G CLASS*	G CLASS*
IMBOCCO / CHAMFER / ANSCHNITT / ENTRÉE							2P	2P
D	p		L	l	d	k	Stock	Stock
M 3	0.5	2.75	100	11	4	3.2	● (G6)	△ (G6)
M 4	0.7	3.69	100	13	5	4	● (G7)	△ (G7)
M 5	0.8	4.64	100	16	5.5	4.5	△ (G7)	△ (G7)
M 6	1	5.55	100	19	6	4.5	● (G7)	△ (G7)
M 6	1	5.55	150	19	6	4.5	● (G7)	△ (G7)

*G CLASS page 70



M 3 ~ M 6	1	4
M 3 ~ M 6	4	4

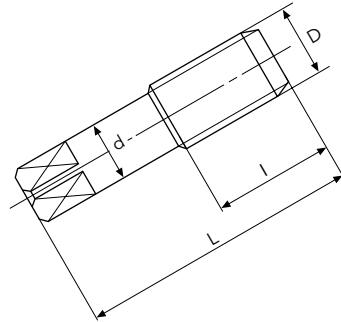
MASCHI A MACCHINA - SERIE LUNGA

MACHINE TAPS - LONG

MASCHINENGEWINDEBOHRER - LANG

TARAUDS MACHINE - LONGS

G
JIS



GRUPPI MATERIALE · MATERIAL GROUPS							2 3 5 13 14
WERKSTOFFE GRUPPE · GROUPES MATIÈRE							16 18 19
CODICE / ITEM NO. / ARTIKEL NR. / RÉFÉRENCE							LS-PF
TIPO / TYPE / TYP / TYPE							STR
MATERIALE / MATERIAL / WERKSTOFF / MATIÈRE							HSSE
RIVESTIMENTO / COATING / BESCHICHTUNG / REVÊTEMENT							BR
NORMA / NORM / NORM / NORME							JIS
TOLLERANZA / TOLERANCE / TOLERANZ / TOLÉRANCE							
IMBOCCO / CHAMFER / ANSCHNITT / ENTRÉE							3.5P
Dxn	D(mm)	Ø	L	l	d	k	Stock
G 1/8x28	9.147	8.75	150	19	8	6	●
G 1/4x19	12.301	11.8	150	28	11	9	●
G 3/8x19	15.806	15.25	150	28	14	11	●
G 1/2x14	19.793	19	150	35	18	14	●



G 1/8 ~ G 1/2	4
----------------------	---

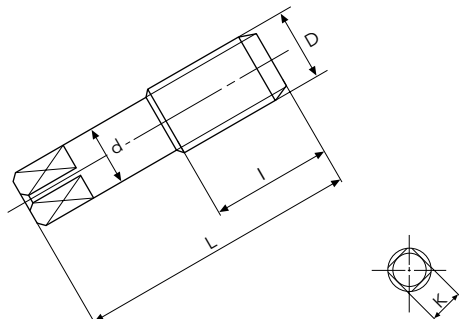
MASCHI A MACCHINA - SERIE LUNGA

MACHINE TAPS - LONG

MASCHINENGEWINDEBOHRER - LANG

TARAUDS MACHINE - LONGS

Rp
JIS



L100 **L150**



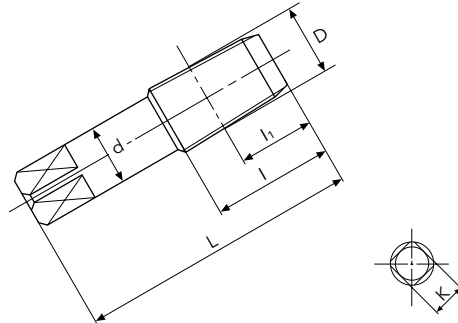
GRUPPI MATERIALE · MATERIAL GROUPS WERKSTOFFE GRUPPE · GROUPES MATIÈRE							2 3 5 13 14 16 18 19	2 3 5 13 14 16 18 19
CODICE / ITEM NO. / ARTIKEL NR. / RÉFÉRENCE							PS-L	PS-XL
TIPO / TYPE / TYP / TYPE							STR	STR
MATERIALE / MATERIAL / WERKSTOFF / MATIÈRE							HSSE	HSSE
RIVESTIMENTO / COATING / BESCHICHTUNG / REVÊTEMENT							BR	BR
NORMA / NORM / NORM / NORME							JIS	JIS
TOLLERANZA / TOLERANCE / TOLERANZ / TOLÉRANCE							-	-
IMBOCCO / CHAMFER / ANSCHNITT / ENTRÉE							3.5P	3.5P
Dxn	D(mm)	Ø	L	l	d	k	Stock	Stock
Rp 1/8x28	9.728	8.5	100	19	8	6	●	
Rp 1/4x19	13.157	11.4	100	28	11	9	●	
Rp 3/8x19	16.662	14.9	100	28	14	11	●	
Rp 1/8x28	9.728	8.5	150	19	8	6		●
Rp 1/4x19	13.157	11.4	150	28	11	9		●
Rp 3/8x19	16.662	14.9	150	28	14	11		●
Rp 1/2x14	20.955	18.6	150	35	18	14		●
Rp 3/4x14	26.441	24	150	35	23	17		○
Rp 1 x11	33.249	30.2	150	45	26	21		○



Rp 1/8 ~ Rp 3/4	4	4
Rp 1	5	5

- MASCHI A MACCHINA - SERIE LUNGA**
- MACHINE TAPS - LONG**
- MASCHINENGWINDEBOHRER - LANG**
- TARAUDS MACHINE - LONGS**

Rc
JIS



GRUPPI MATERIALE · MATERIAL GROUPS								2	3	5	13	14	2	3	5	13	14
WERKSTOFFE GRUPPE · GROUPES MATIÈRE								16	18	19	16	18	19				
CODICE / ITEM NO. / ARTIKEL NR. / RÉFÉRENCE								PT-L					PT-XL				
TIPO / TYPE / TYP / TYPE								STR					STR				
MATERIALE / MATERIAL / WERKSTOFF / MATIÈRE								HSSE					HSSE				
RIVESTIMENTO / COATING / BESCHICHTUNG / REVÊTEMENT								BR					BR				
NORMA / NORM / NORM / NORME								JIS					JIS				
TOLLERANZA / TOLERANCE / TOLERANZ / TOLÉRANCE								-					-				
IMBOCCO / CHAMFER / ANSCHNITT / ENTRÉE								2.5P					2.5P				
D	n		L	l	l1	d	k	Stock					Stock				
Rc 1/8	28		100	19	13	8	6	●									
Rc 1/4	19		100	28	21	11	9	●									
Rc 3/8	19		100	28	21	14	11	●									
Rc 1/8	28		150	19	13	8	6						●				
Rc 1/4	19		150	28	21	11	9						●				
Rc 3/8	19		150	28	21	14	11						●				
Rc 1/2	14		150	35	25	18	14						●				
Rc 3/4	14		150	35	25	23	17						○				
Rc 1	11		150	45	32	26	21						○				

page 45



Rc 1/8 ~ Rc 3/4	4	4
Rc 1	5	5