

**Ladies and Gentlemen,
Customers and Partners,**

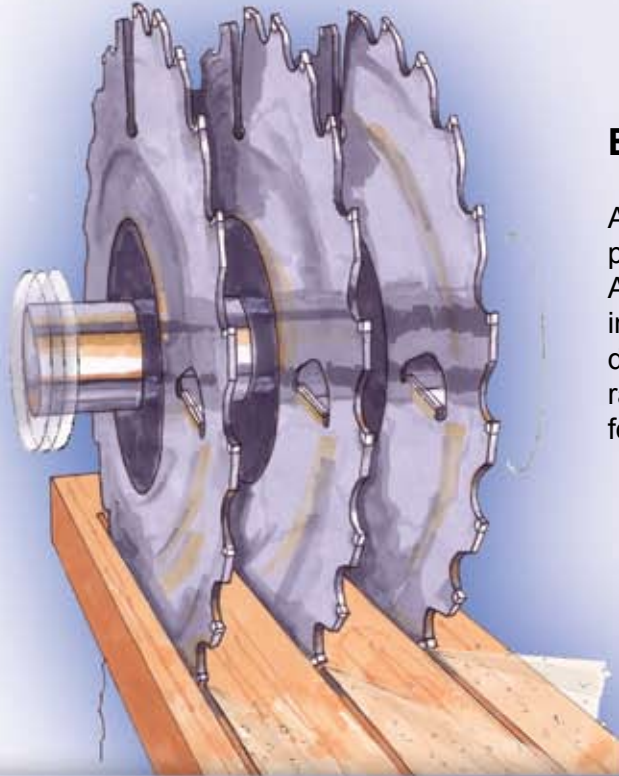
AKE is no longer just a sawblade manufacturer. One third of our business is now made with other tools. Our growth means we are competent in other areas, and that we possess a great amount of know-how, is confirmed by the fact that we have been producing milling tools and clamping systems since the 1960's and moreover the fact that currently 80% of the tools leaving our production site in Rietberg are custom designed tools. You will most definitely find what you are looking for in our new AKE catalogue.

If you can't find the exact tool you are looking for, then let us design one for you! We are specialists for individual customer solutions. Our application engineers and technical salesmen are more than eager to advise and find a solution together with you. We then get down to the details: designing, constructing, producing, testing and bringing the product right to the machine, if that's what you desire. You can be sure to receive the tool for your application – this is our meaning of an economical product!

Customers who know AKE will notice that not all AKE products are in the catalogue. We have created additional catalogues and flyers e.g. for Sawmills, for the metal industry, for the DIY sector. We can send you these upon request.

As an internationally working company, led by its owners, we can offer you a great deal – we can offer the variety and competence of a large company on the one hand, but also on the other we can offer the speed and flexibility of a smaller company. High precision, a great wealth of invention and innovation and so much more. We guarantee to be a good working partner in leading to your future success.

Your AKE-Team



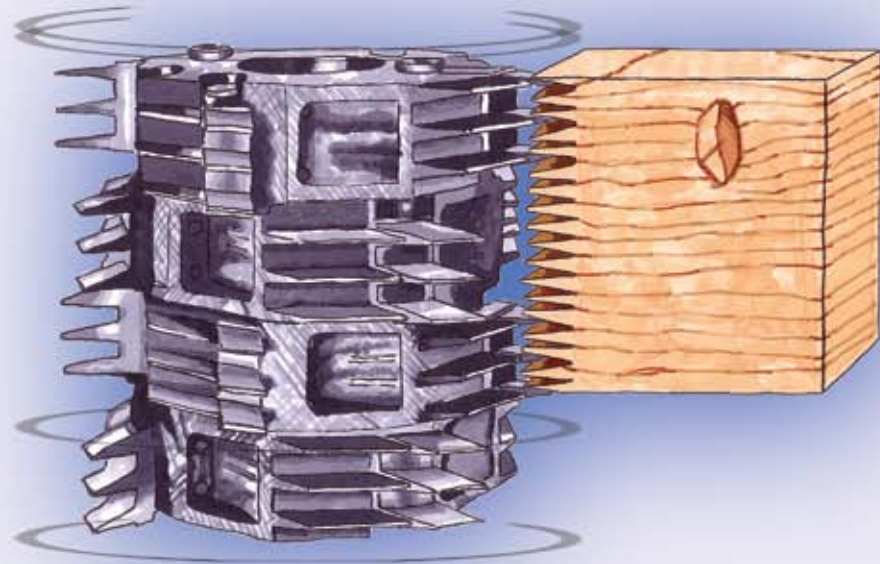
Better sawing

AKE is the equivalent of high-quality, particularly efficient sawblades. Applied for circular saws, band saws in industry and crafts and by sophisticated do-it-yourselfers – our wide product range offers the best possible solution for any requirement.

Better products

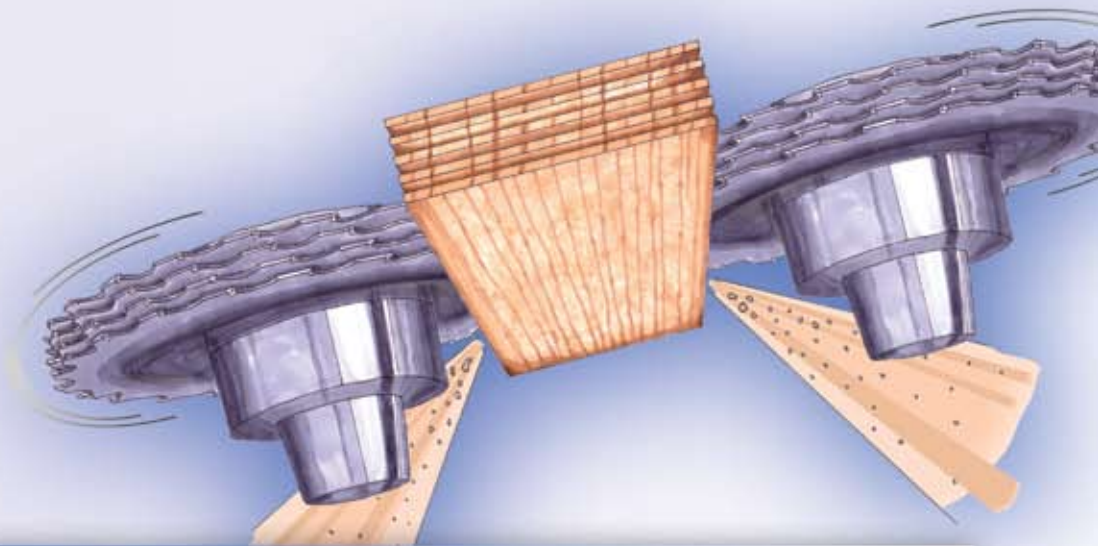
Better cutting

AKE has the appropriate tools, if it comes to economical, high-precision milling processes. In addition to our approved standard programme, we are also producing custom-made special production tools for different machines and a large variety of applications.

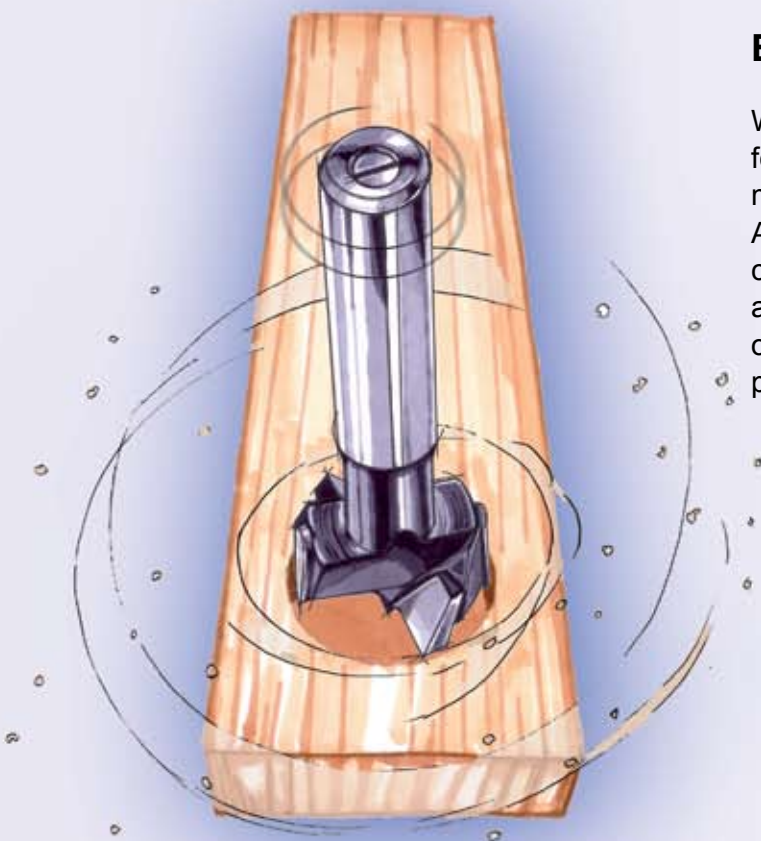


Better clamping

In order to achieve perfect machining results, first rate clamping systems are just as important as the optimal tools. And you get them from AKE. Irrespective of the applied system, machining or tool design - we have got what you need.



by AKE



Better drilling

We are your competent partner, even for the topic of drilling. You will definitely meet all requirements, if drills made by AKE are applied. Our extensive range covers almost all fields of application and impresses by means of its outstanding quality features and precision.

Cutting & better

Success

We measure our success in terms of customer satisfaction. Our customers success is our main aim!

Experience

AKE is one of the largest and most modern tool manufacturer. Our standard of quality is widely recognised – and this has been the case for nearly 50 years.

Economical Benefits

AKE means the best possible quality, the best processing and first class material. Our service, whether products or advice, is always worth it!

Individual Customer Care

Our experienced salespersons and application engineers are there to advise you, their experience and technical know-how can provide you with the custom solution you require.

Company Policy

Cutting & better not only means wanting to produce better tools, but also to see through the eyes of both our customers and employees and to achieve success through a mutual give and take.



Philosophy

Network

Through our world-wide partner network, we can react quickly to our customers needs, wherever they may be.

Customer Service

We are there with founded advice and support from the designing to the scrapping of a tool – a complete tool life.

Product Variety

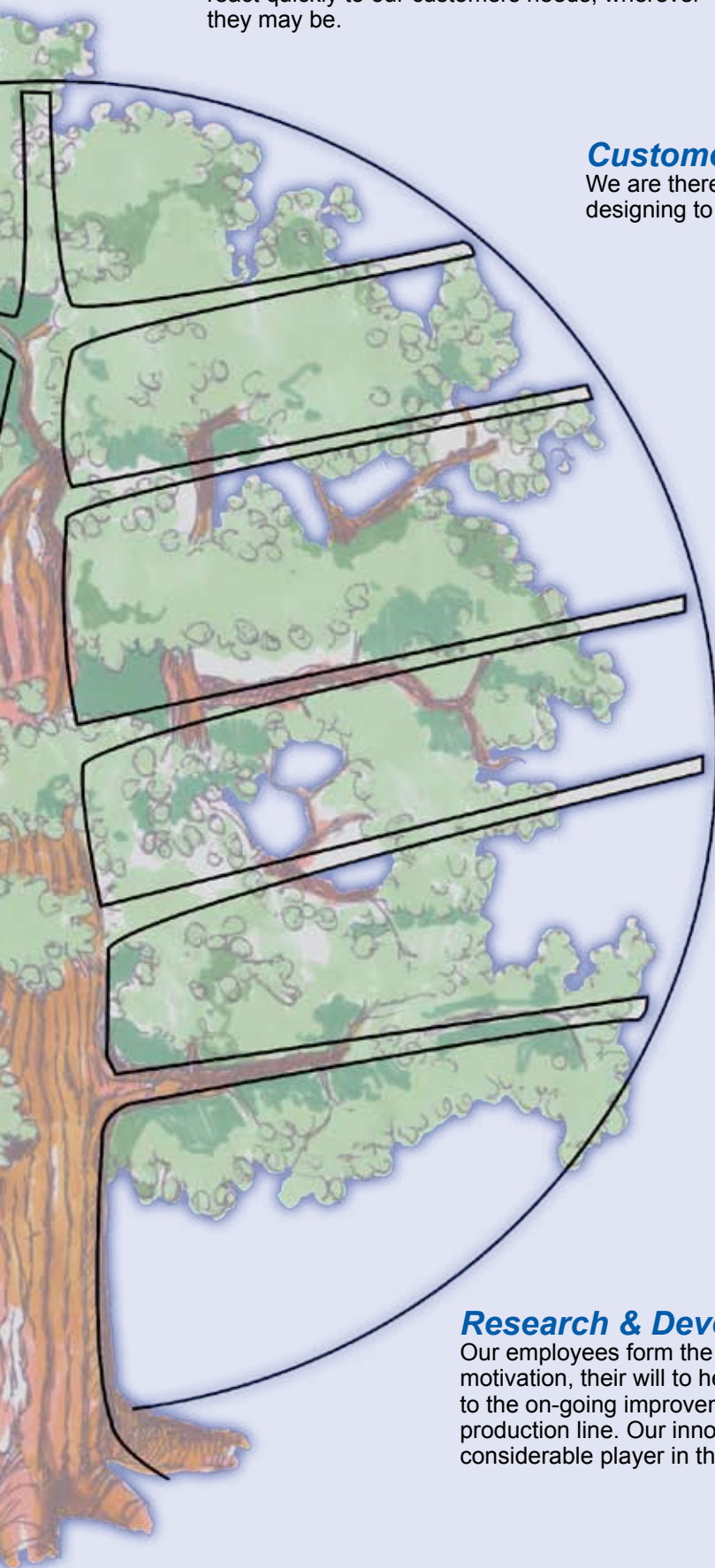
We grew as a sawblade manufacturer, but that is not all we can do. We can offer our customers the whole range: Better sawing, better cutting, better drilling, better clamping.

Reliability

The highest requirements in terms of output and machine time requires the highest reliability from the individual components. That's why we are your partner.

Research & Development

Our employees form the base of our success. Their motivation, their will to help and their knowledge all form to the on-going improvements to our product range and production line. Our innovative strength means we are a considerable player in the world of tool development.



Customised

As a cutting specialist we supply cutting tools; clamping systems and aggregates for wood, plastic and metal processing. More than 50% of our complete delivery range is special designed.

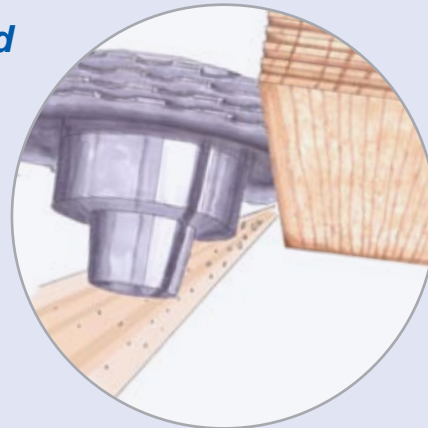
Sawblades

For steel; light alloys, plastics, fibre-cement; derived timber materials; solid wood; composite materials. Diameter range from 80 mm to 2000 mm; with or without rakers; stepped body designs, in HS or tipped with Stellite, TC or DP.



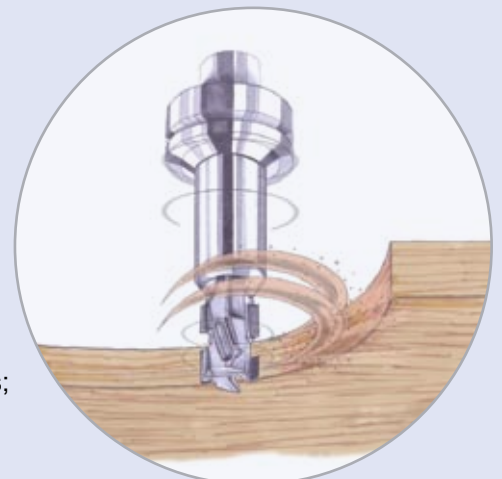
Thin kerf sawblades and splitting wedges

e. g. For parquet lamellas. Cutting widths down to 1.0 mm. Splitting wedges in individual design and shapes.



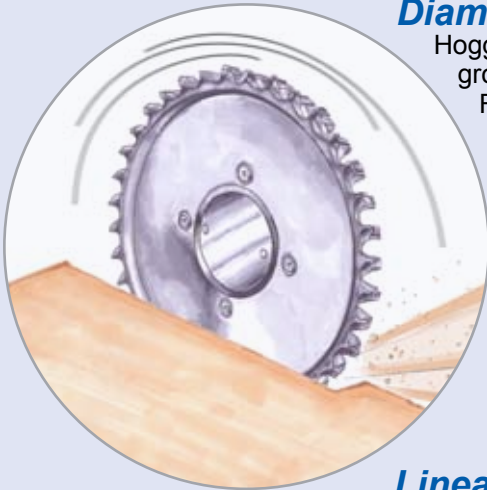
Clamping systems

Clamping systems for all stationary and through feed machine types. HSK Plus, HSK, SK, Hydro, Weldon, etc.



Aggregates for stationary machines

Angular aggregates of well-known manufacturers; bottom-side aggregate; contact-controlled aggregates.



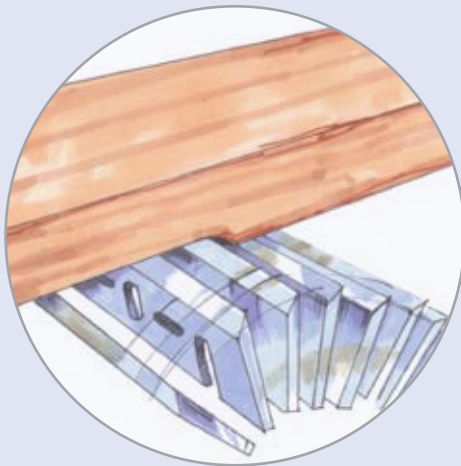
Diamond tools

Hoggers; jointing cutters; profile cutters; grooving cutters; sawblades.

For cutting circuit boards, Insulation materials, furniture, interior fittings, doors, parquet. For derived timber materials; solid wood, laminate flooring, composite materials.

Linear hogging tools

Non-moving knives; raker knives, profiled scraper knives. For smoothing profiles in MDF and plastics.



Planner and Profile cutter heads

With or without hydraulic clamping. In all required dimensions and numbers of teeth.

Solid one-piece cutters

With diameters up to 450 mm and up to 48 teeth.

For saw-mill and planning/ moulding industries, profiled panel and skirting boards' production. Solid TC cutters for solid wood, derived timber materials, composite materials, plastics.

Special designed solutions

These are a few of not only our but also your possibilities to design a tool for your special application and to optimise it to your requirements. Just tell us your needs.



AKE Knebel

GmbH & Co. KG
Hölzlestrasse 14 and 16
D-72336 Balingen
Germany

Mail Address:
PO Box 100563
D-72305 Balingen
Phone +49 (7433) 261-0
Fax +49 (7433) 261-100
E-Mail: info@ake.de
www.ake.de



AKE Knebel

GmbH & Co. KG
Niederlassung Bad Oeynhausen
Gohfelder Strasse 2
D-32549 Bad Oeynhausen
Phone +49 (5731) 4 80 90
Fax +49 (5731) 4 80 94 31
E-Mail: info@ake.de
www.ake.de



AKE Knebel

GmbH & Co. KG
Niederlassung Rietberg
Konrad-Adenauer-Strasse 22
D-33397 Rietberg
Phone +49 (5244) 9 20 20
Fax +49 (5244) 20 24
E-Mail: info@ake.de
www.ake.de



AKE Knebel

GmbH & Co. KG
Niederlassung Bernau
Am Anger 27
D-83233 Bernau
Phone +49 (8051) 96 56 67 80
Fax +49 (8051) 96 56 78 19
E-Mail: info@ake.de
www.ake.de



Australia

Trade Tools Pty Ltd
359 North Road
AUS-Caulfield South 3162
Victoria
Phone +61 (03) 95 76 91 50
Fax +61 (03) 95 76 91 76



Belgium

NV Jan Maes
Industrielaan 12
B-8520 Kuurne
Phone +32 (56) 36 41 80
Fax +32 (56) 36 41 90
E-Mail: info@madia.com
www.madia.com



Brasil

Frezite – AKE do Brasil Ltda.
Rua Otto Emilio Beckert, 85C
BR-Boehmerwald – 89290-000
S. Bento do Sul –SC
Phone +55 (47) 6 35 20 65
Fax +55 (47) 6 35 20 67
E-Mail: frezite@creativenet.com.br



China

AKE Precision Tooling
(TaiCang) Co., Ltd.
West of DongTing North Road
and South Of NingBo Road
215400 TaiCang, JiangSu Province
P.R. China
Phone: +86 (0) 5 12 53 18 51 51
Fax: +86 (0) 5 12 53 18 50 50
E-Mail: info@aketools.com
www.aketools.com



Denmark

Profil Værktøj A/S
Nystedvej 23
DK-7400 Herning
Phone +45 (96) 26 14 00
Fax +45 (96) 26 14 01
E-Mail: profil@p-v.dk
www.p-v.dk



Estonia

AS Nava
Peterburi tee 56b
EST-Tallinn 11415
Phone +372 (621) 13 60
Fax +372 (621) 13 61
E-Mail: ants@nava.ee
www.nava.ee



France

AKE France
B.P. 228 ZI Nord
27, Rue de l'Industrie
F-67406 Illkirch-Cedex
Phone +33 (388) 67 47 10
Fax +33 (388) 67 40 31
E-Mail: ake-france@ake.de
www.ake.de



Greece

Klironomi Pantelis Tsopouridis
Dim Michala 34
GR-54629 Thessaloniki/Hellas
Phone +30 (310) 73 92 96
Fax +30 (310) 73 91 56



Great Britain

AKE UK LTD
17 Millstream Close, Wimborne
Dorset BH21 1 DW
Phone +44 (1202) 88 82 27
Fax +44 (1202) 88 86 65
E-Mail: ake-uk@ake.de
www.ake.de



Indonesia

AKE-Woodtech
Jalan Agung Utara 1 Blok A2 No.27
Jakarta Utara 14350
Phone +62(21) 64- 7178 50/78 51
Fax +62(21) 64 71 78 52
E-Mail: akeps@cdn.net.id



Ireland

Carbide Tools Ltd.
Malahide Road Industrial Park
IRL-Dublin 17
Phone +353 (1) 8 47 60 11
Fax +353 (1) 8 47 62 20
E-Mail: info@carbide.ie
www.carbide.ie



Israel

Micha Stern
Import & Marketing (1991) L.T.D
Moshav Bnaya
D.-N. shikmim 79205
Phone +972-(8) 9 43 74 58
Fax +972-(8) 9 43 05 69

All over the world

AKE
Cutting & better



Italy

Howema Italia s.r.l.
Via F.lli Lumiere 30
I-47100 Forlì
Phone +390 (543) 78 28 48
Fax +390 (543) 78 28 49
E-Mail: howema@tin.it
www.howemaitalia.com



Canada

Gladu Outils Ind.
2115 Rue St-Césaire
CDN-Mariville, QC J3M 1E5
Phone +1 (450) 4 60 44 81
Fax +1 (450) 4 60 26 55
E-Mail: gladu@gladu.com
www.gladu.com



Malaysia

Woodtech Prime
Industries Sdn Bnd
18, Jalan Taming 8
Taming Jaya Industrial Park
MAL-43300 Balakong, Selangor
Darul Ehsan
Phone +603 (8962) 19 98
Fax +603 (8962) 29 98
E-Mail: info@woodtech.com.my
www.woodtech.com.my



Netherlands

AKE Nederland bv
Postbus 93, PLZ. 4760 AB
Koperslagerij 56
NL-4762 AP Zevenbergen
Phone +31 (168) 32 87 50
Fax +31 (168) 32 61 16
E-Mail: info@ake.nl



Norway

P. R. Hagberg A/S
Postboks 291 Økern
Brobekkveien 104-B
N-0511 Oslo 5
Phone +47 (2265) 70 50
Fax +47 (2265) 94 24
E-Mail: post@hagberg-pr.no



Austria

AKE Knebel+-Forster GmbH
HM-Werkzeuge und
Schleifmaschinen
Römerstrasse 41
A-2752 Wöllersdorf
Phone +43 (2622) 4 21 40
Fax +43 (2622) 4 21 40 24
E-Mail: office@ake-forster.at
www.ake-forster.at



Poland

AKE Polska Sp. zo.o.
PL-98400 Wieruszów
ul. Witosa 7
Phone +48 (62) 7 83 22 00
Fax +48 (62) 7 83 22 01
E-Mail: ake-pol@wp.pl



Portugal

Frezite Ferramentas de Corte, S. A.
Rua do Vau
P. O. Box 134
P-4786-909 Trofa
Phone +351 (252) 40 03 60
Fax +351 (252) 41 72 54
E-Mail: info@frezite.pt
www.frezite.com



Romania

S. C. AKE Tools S. R. L.
RO-440122 Satu Mare
Str. Aurel Vlaicu Nr. 72
Phone +40 (261) 71 55 42
Fax +40 (261) 71 55 60



Russia

WT Impex
Krijjanovskogo Street 13
Office 102, Case 2
RUS-117218 Moskva
Phone +7 (095) 1 24 50 13
Fax +7 (095) 1 24 37 83
E-Mail: woodwork@aha.ru
www.woodwork.ru



Sweden

KOS
Kvamstrands & Oertli Scandinavia AB
Storgatan 11
S-57450 Ekenäsön
Phone +46 (383) 3 47 00
Fax +46 (383) 3 00 27
E-Mail: c@kosab.net
www.kosab.net



Switzerland

Sigrist & Müller AG
Werkzeug- und Maschinenfabrik
Postfach
CH-81-97 Rafz
Phone +41 (1) 8 69 02 11
Fax +41 (1) 8 69 17 35
E-Mail: info@saturn-rafz.ch
www.saturn-rafz.ch



Serbia-Montenegro

AKE-Djantar D. o. o.
SCG-24300 Baška Topola
Rade Končara 60
Phone +38 (124) 71 58 70
Fax +38 (124) 71 58 49
E-Mail: ake@ake-djantar.com



Singapore

AKE-Woodtech
No. 8, Tuas View Loop
SGP-Singapore 637674
Phone +65 (6861) 67 11
Fax +65 (6861) 76 18



Slovakia

AKE Slovensko s.r.o.
nam.Priatelstva 39B/5541
SK-92901 Dunajská Streda
Phone +42 (1) 3 15 50 59 01
Fax +42 (1) 3 15 50 59 02
E-Mail: akesk@stonline.sk



Thailand

AKE Technology
(Thailand)
661/8-9 Sathupradit Road,
Bangpongpan, Yannawa
BANGKOK, 10120
Phone 066 22 94 07 57
Fax 066 22 95 30 73



Czech Republik

AKE CZ s.-r.-o.
Karlovska 65
CZ-27364 Doksy u Kladna
Phone +4-20 (312) 69 10 02
Fax +4-20 (312) 69 13 02
E-Mail: info@ake.cz
www.ake.cz



Türkey

Teknomak Mobilya Makinalari
Kesici Takimlar San. ve Tic.Ltd.Sti.
Yeni Camlica Mh.Yedpa Ticaret
Merkezi H:1 Cd.No: 32
TR-34779 Ümraniye – Istanbul
Phone +90 (216) 6 61 40 33
Fax +90 (216) 6 61 40 35
E-Mail: teknomakmakina@ttnet.net.tr



Hungary

AKE Hungária Kft.
H-9700 Szombathely
Vásártér u. 12.
Phone +36 (94) 51 32 70
Fax +36 (94) 31 32 99
E-Mail: akehungaria@ake.hu
www.ake.hu



USA

Glada Tools USA, Inc.
21 Lawrence Paquette Drive
PO Box 578
USA-Champlain, NY 12919-0578
Phone +1 (450) 4 60 44 81
Fax +1 (450) 4 60 26 55
www.gladu.com

Safety Information for Tools

Please read prior to installation and operation

The tools conform to standard DIN-EN 847-1/2.

Tools should be stored in their original packing or in other appropriate packing. Tools should be stored in dry conditions and away from aggressive substances. There is always the danger of injury due to the sharpness of the tools.

Tools must only be used as designated.

Cutting in feed direction is only permissible for mechanical feed.

The direction of rotation must be observed.

The maximum allowed operating speed must not be exceeded. The machine manufacturer regulations must be adhered to. If in any doubt please contact AKE Knebel GmbH & Co. KG and/or the machine manufacturer.

Check tools carefully for any signs of damage or defects prior to installation.

Do not install the tool if there are any recognisable defects or damages, if already installed, stop operation immediately, remove tool and mark the tool clearly so that it cannot be installed prior to being checked by a competent person.

Tools showing cracks or similar damages must not be welded or repaired in any form.

Only trained persons with the necessary safety training are allowed to install tools and commence operation of the machine.

Adhere to the operation manual of both the tools and the machine.

Ensure the machine cannot be started.

Tools should only be installed using the clamping mechanism as provided by the machine manufacturer, recommended starting torque should be observed, no other form of installation or tightening is allowed.

The European standard. DIN-EN 1870-1, chapter 3.2.3. is applicable for allocating the appropriate clamping flange diameter to the sawblade diameter. Gloves must be worn, as should close-fitting clothes and ear protection when necessary.

Once the tool has been installed, please ensure that all safety protection devices and the splitting wedge are mounted correctly.

A test run by a trained person must be carried out.

Do not reach anywhere near the rotating tool. No uninvolved persons should be near this area..

Do not undertake any adjustments near the rotating tool. Make sure there is no imbalance. The cutting edge of the tool must not come into contact with any other cutting tools, fixing elements or any other parts of the machine

Bore hole reduction rings must be firmly fixed to the tool and must not project over the tool body. Reducing rings must be the correct size to ensure that the tool is fixed correctly.

Never leave the operating machine unattended.

All measures to prevent kick back must be taken, all corresponding devices must be applied.

The working material must be checked for any foreign matter.

The tool must be re-sharpened in due time. Indications for blunt tools are: extreme wear and tear on the cutting edges, broken edges, poor cutting quality and higher energy consumption by the machine.

Sawblades with cutting teeth of less than 1 mm must not be used.

Tools must only be re-sharpened by competent personnel and must only be repaired using original parts.

Competent persons are those with corresponding training and experience who have knowledge of the design, designation and safety requirements of the tool.

Tools must only be repaired in compliance with the manufacturers stipulations.

The following must be observed: the tool design must not be altered, all safety regulations must be adhered to, the applicable tensioning tolerances must be observed.

