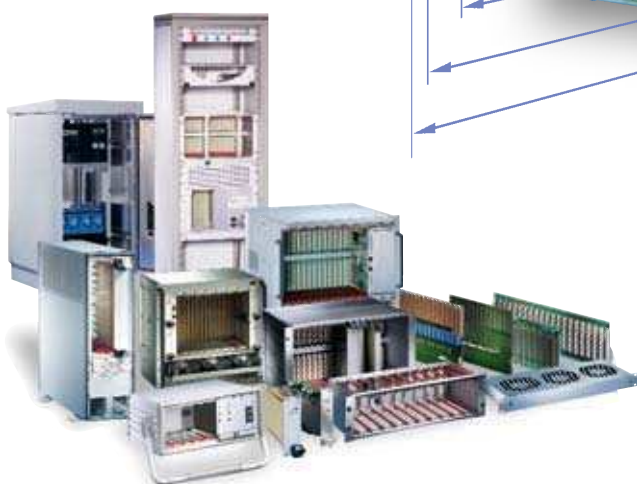
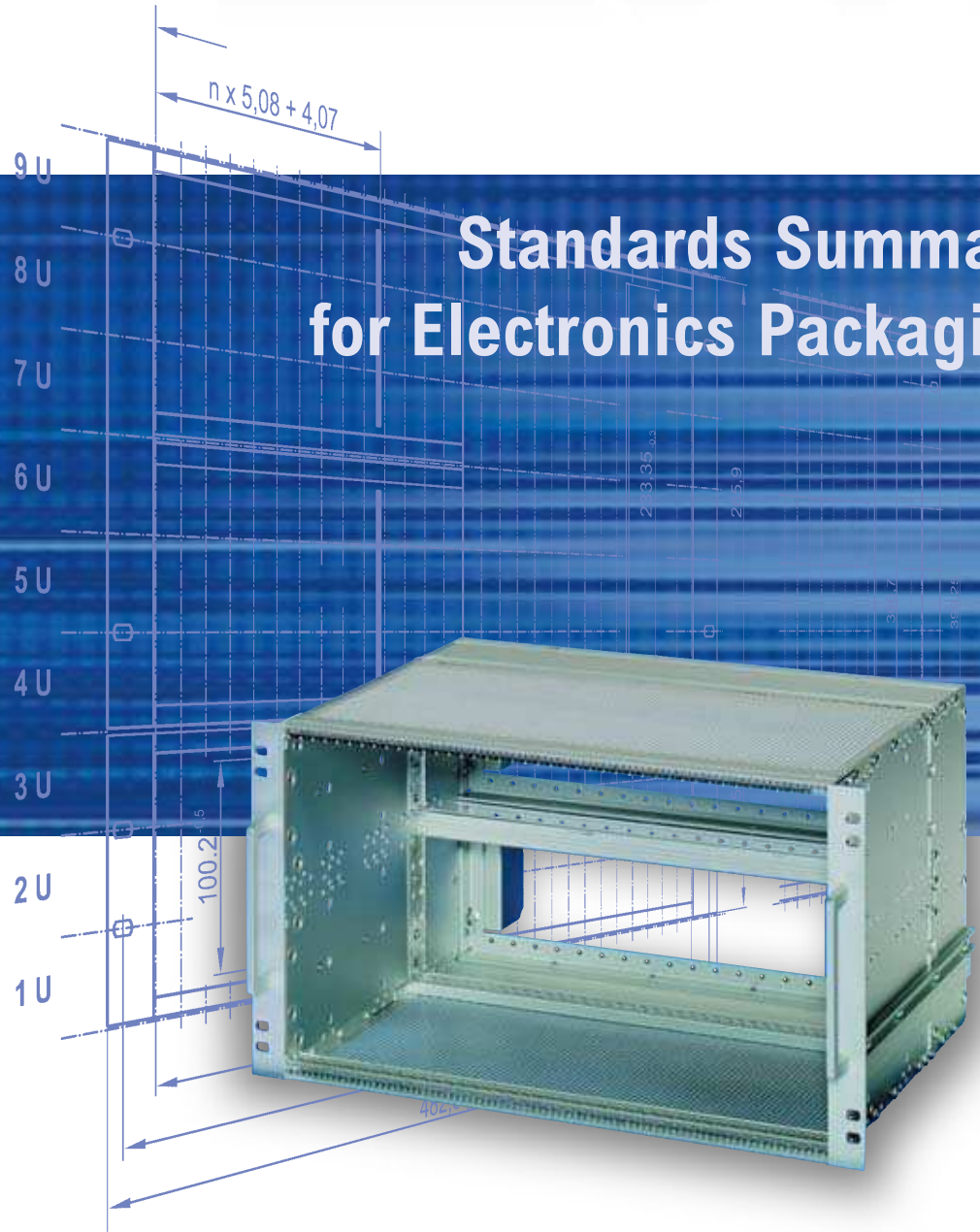
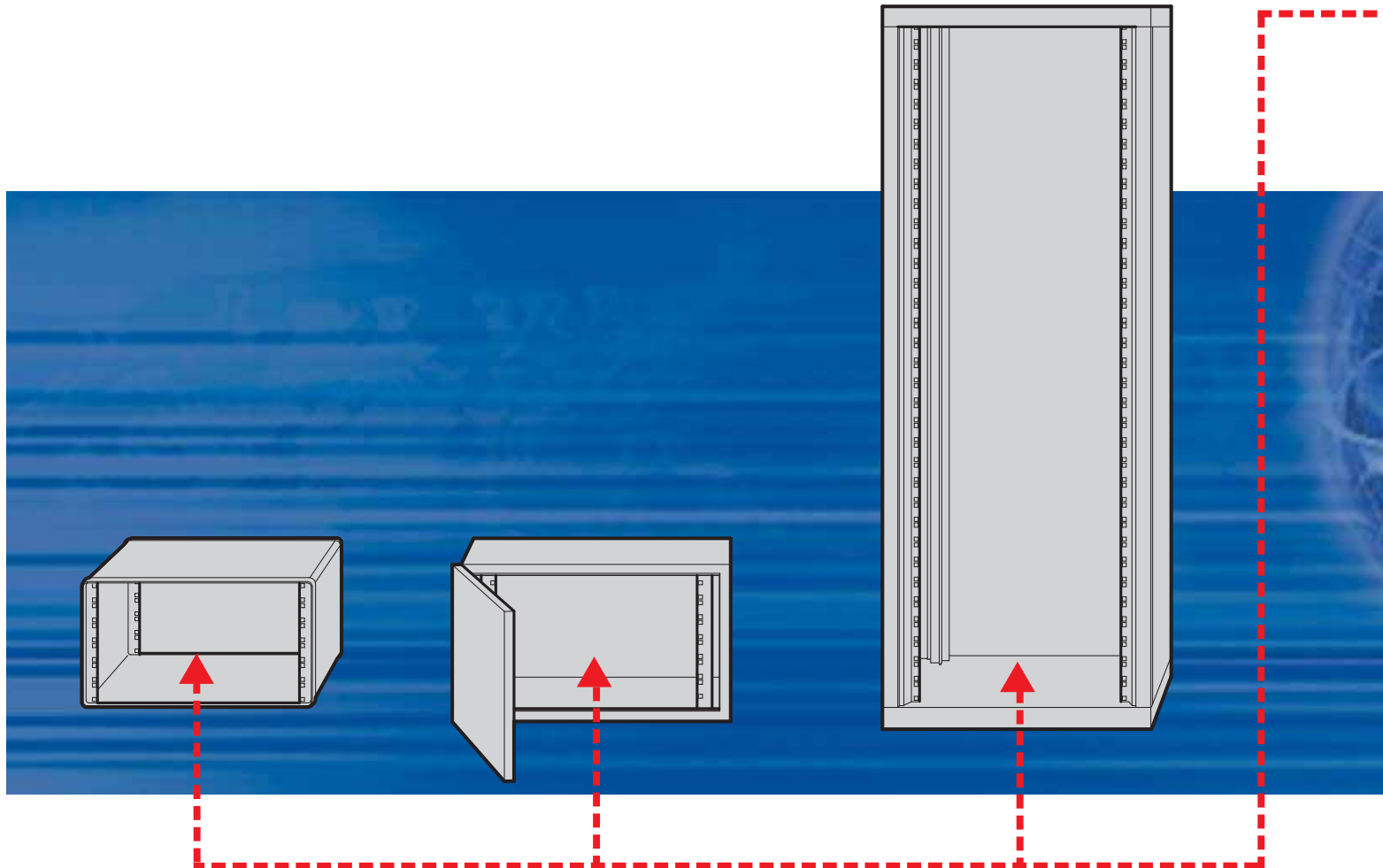


# Standards Summary for Electronics Packaging



# Introduction to the Standards Summary



## Why is Schroff committed to standards and modular concepts?

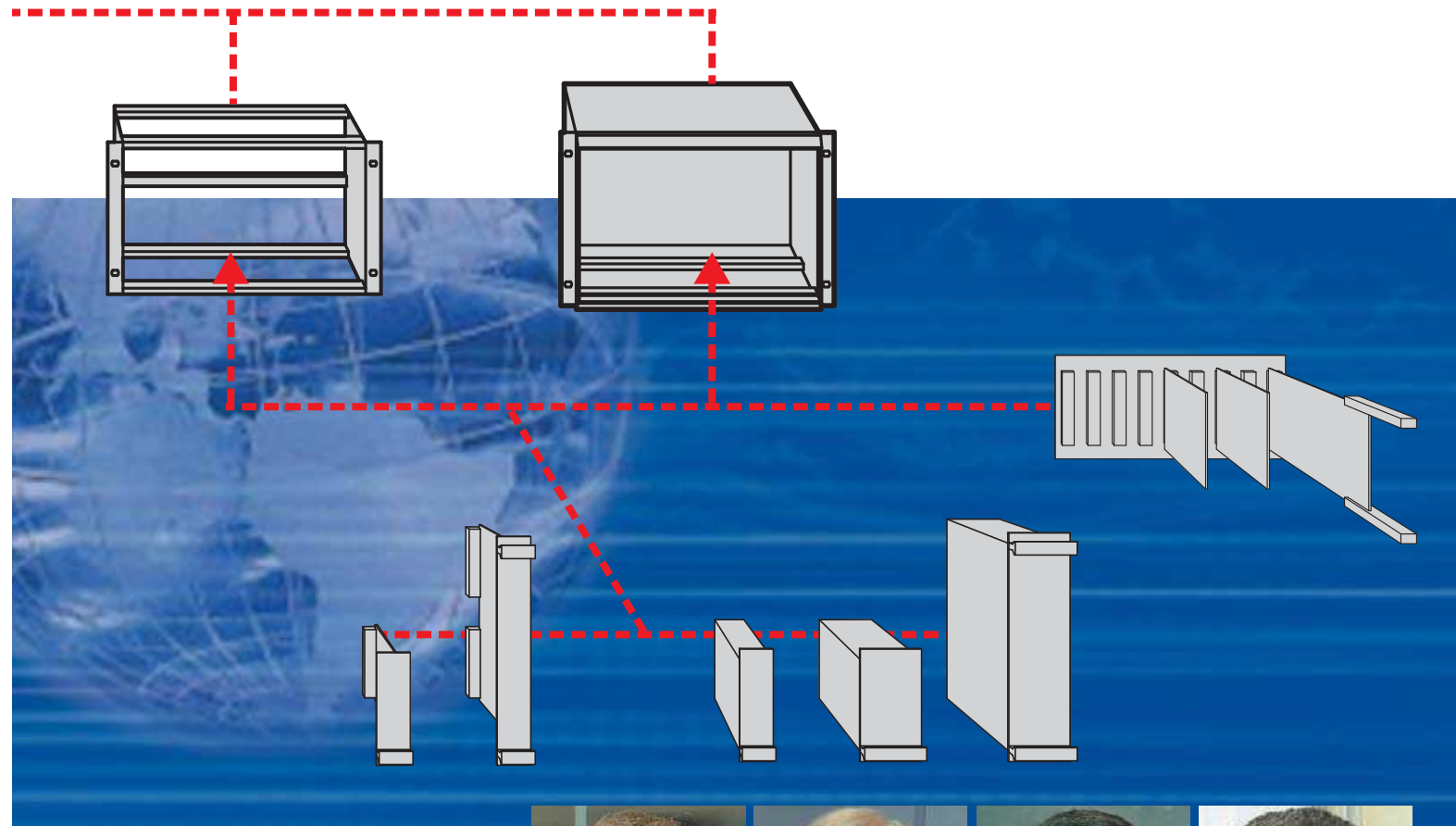
Commercial electronic devices are investments with relatively long life cycles, where high reliability and availability are predominant requirements. In order to keep the cost low and at the same time maintain a very high quality level, standard designs with predefined performance levels are indispensable. Subracks, cases and cabinets are structural parts of any equipment. The standards philosophy allows short development time and fast market introduction for these products without expensive development, testing and validation procedures.

## Are standard product platforms as flexible and cost effective as proprietary designs?

If a product with relatively high quantities and a long, steady lifecycle is demanded, most likely a proprietary design will be favorable. But for most electronics markets the required investments are too high for proprietary designs, if we consider all development and sourcing costs realistically. Standard product platforms typically consist of a modular concept which provides a wide variety of off-the-shelf products.

## Contents of the standards summary

This standards summary is the latest release with updated contents. The purpose of this document is to inform designers and project engineers about the most important mechanical standards of the globally developed and approved IEC standards in a very condensed manner. Users are encouraged to look up more detailed information on IEC's website or in other printed sources.



**Paul Mazura**  
Germany  
Vice President Product  
Development and  
Standardisation



**Keith Reynolds**  
UK  
Technical Manager



**Michael Thompson**  
USA  
Principal Engineer



**Akio Shimada**  
Japan  
Manager Marketing  
and  
Standardisation

**The Schroff commitment to standards**

Since 1978 Schroff is actively participating in the standardisation of "Mechanical Structures for Electronics Equipment" in the global IEC organisation. As an international company with global customers we feel responsible for the progress in standardisation by implementing latest technologies and converting them into standard product platforms.

Members of the Schroff Group are working closely to the most innovative markets where the requirements are emerging and are developing answers within the global Schroff team of experts. That is the way we work in both directions: Listen to the local markets and develop global concepts with a strategic view.

# Standardisation Summary - a Guide Through International Standards for Electronics Packaging

## IEC standards

The globalisation of the commercial electronics market creates a demand for internationally valid standards. Time-to-market and development expenses of an electronic device force application engineers to use off-the-shelf products rather than design proprietary packaging solutions.

Recently developed Electronics Packaging standards comprise dimensional specifications and - on a higher level - the criteria for physical integrity, electromagnetic compatibility and thermal management.

With regard to such comprehensive market requirements the technical subcommittee 48D of the International Electrotechnical Commission (IEC) created a whole new series of standards.

Dimensional Compatibility	Physical Integrity	Seismic Durability	Electromagnetic Compatibility	Thermal Management
IEC 60297-1 IEC 60297-2 IEC 60297-3-101 IEC 60297-3-102 IEC 60297-3-103 IEC 61969-2-1 IEC 61969-2-2 IEC 60917-2-X	IEC 61587-1 IEC 61969-3	IEC 61587-2	IEC 61587-3	IEC 62194, Ed.1

## VME, CPCI and ATCA

In addition to IEC standards there are application specifications created by specific market user groups. Examples are VME, created by VITA (VME International Trade Association) or CPCI and ATCA, created by PICMG (PCI-International Computer Manufacturing Group). Details of VME and CPCI have been incorporated into the latest IEC standards (IEC 60297-3-101 up to -103) which opens new features for the general use in other applications. ATCA (Advanced Telecommunication Computing Architecture) represents the implementation of an 8 U Eurocard form factor into a 19", resp. a 23" wide chassis. Board level products of ATCA will not fit into IEC standardised subracks due to deviating dimensional details.

## ETS standards

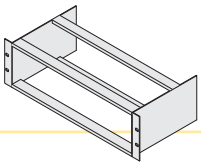
ETS standards have been created by ETSI (European Telecommunication Standardisation Institute) for the European Telecommunication installations. ETS standards are closely related to IEC standards with specific focus on telecom requirements. While the cited IEC standards in the table above deal with the structural properties of the equipment design, the ETS is also specifying the working conditions.

## Scope of the standards summary

This standardisation summary will present the main contents of the relevant standards with the intention to create better understanding of the correlations and application aspects. For the full contents the IEC Web site will provide all necessary information.

# Mechanical Structures for Electronics Equipment

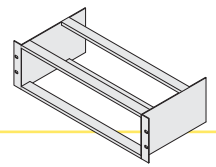
<b>1.00</b>		<b>6</b>
<b>1.00</b>	Design guide for subracks and associated plug-in units	<b>6</b>
<b>1.01</b>	Overview of the 482.6 mm (19") standard series, IEC 60297-3-101	<b>7</b>
<b>1.02</b>	Basic subrack dimensions	<b>8</b>
<b>1.03</b>	Guide rail dimensions	<b>9</b>
<b>1.04</b>	Printed boards	<b>10</b>
<b>1.05</b>	Connectors and backplanes	<b>11</b>
<b>1.06</b>	Subrack depth mounting dimensions	<b>12</b>
<b>1.07</b>	Subrack front mounting dimensions	<b>13</b>
<b>1.08</b>	Dimensions of subrack associated plug-in units	<b>14</b>
<b>1.09</b>	Subrack/front panel shielding interface dimensions	<b>15</b>
<b>1.10</b>	Subrack/plug-in unit electrostatic discharge provisions (ESD)	<b>16</b>
<b>1.11</b>	Subrack/plug-in unit keying and alignment pin	<b>17</b>
<b>1.12</b>	Subrack dimensions for the 25 mm standard series, IEC 60917-2-2	<b>18</b>
<b>1.13</b>	Subrack dimensions for ETS 300 119-4 (European Telecom Standards)	<b>19</b>
<b>2.00</b>		<b>20</b>
<b>2.00</b>	Design guide for indoor cabinets	<b>20</b>
<b>2.01</b>	Cabinet dimensions for the 482.6 mm (19") standard series, IEC 60297-2	<b>21</b>
<b>2.02</b>	Cabinet dimensions for ETS 300 119-3 (European Telecom Standards)	<b>22</b>
<b>2.03</b>	Cabinet dimensions for the 25 mm standard series, IEC 60917-2-1	<b>23</b>
<b>3.00</b>		<b>24</b>
<b>3.00</b>	Outdoor enclosures	<b>24</b>
<b>4.00</b>		<b>26</b>
<b>4.00</b>	Climatic and physical tests for subracks and cabinets in accordance to IEC 61587-1, -2, -3	<b>26</b>
<b>4.01</b>	Climatic tests	<b>27</b>
<b>4.02</b>	Static load and dynamic tests for subracks and cabinets in accordance to IEC 61587-1	<b>28</b>
<b>4.03</b>	Environmental requirements for outdoor enclosures in accordance to IEC 61969-3	<b>29</b>
<b>4.04</b>	Seismic tests in accordance to IEC 61587-2	<b>29</b>
<b>5.00</b>		<b>30</b>
<b>5.00</b>	Electromagnetic shielding performance tests	<b>30</b>
<b>6.00</b>		<b>31</b>
<b>6.00</b>	Safety requirements	<b>31</b>
<b>6.01</b>	Safety requirements, IEC 60950	<b>31</b>
<b>6.02</b>	IP degrees of protection	<b>32</b>
<b>7.00</b>		<b>33</b>
<b>7.00</b>	Thermal management	<b>33</b>
<b>8.00</b>		<b>34</b>
<b>8.00</b>	VME and CPCI	<b>34</b>
<b>9.00</b>		<b>35</b>
<b>9.00</b>	Advanced TCA - PICMG 3.0	<b>35</b>



## 1.00 Design Guide for subracks and associated plug-in units

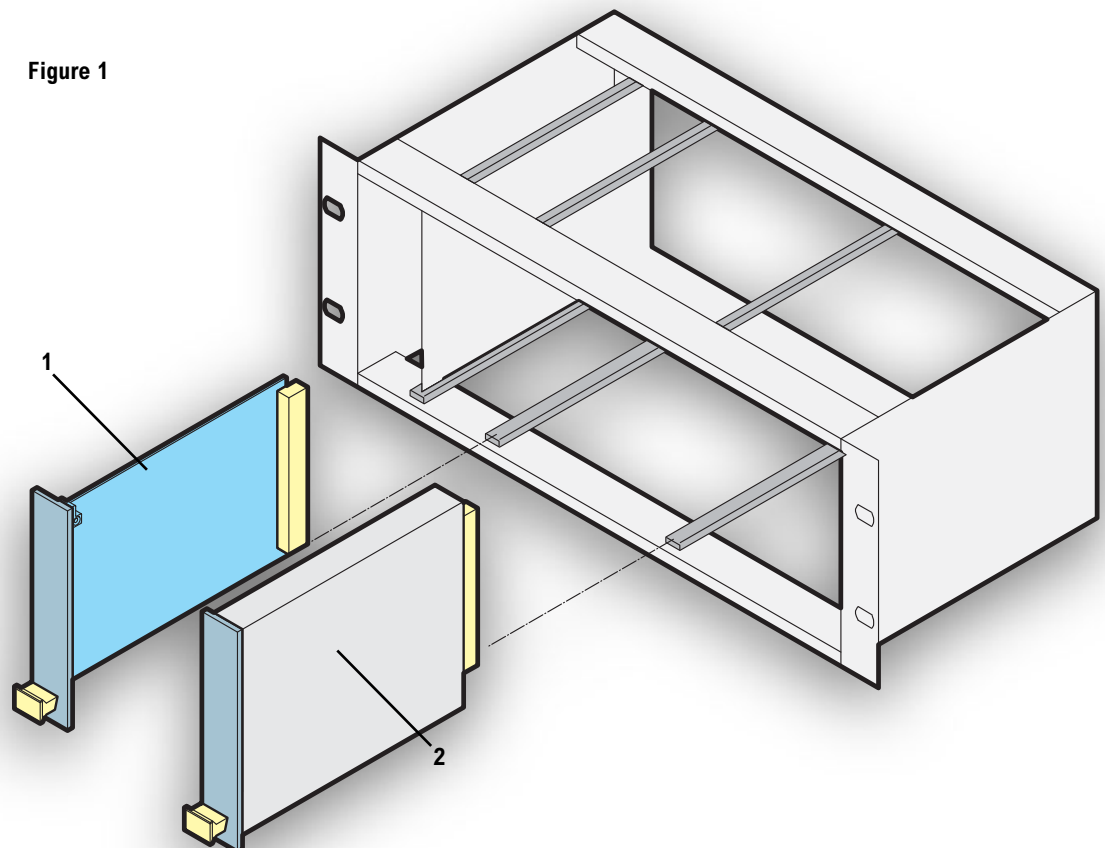
1.00





## 1.01 Overview of the 482.6 mm (19") standard series IEC 60297-3-101

Figure 1



- 1 Board type plug-in unit
- 2 Box type plug-in unit

### 19" system dimensions and definitions

The width over the mounting flanges is 482.6 mm (19"), which created the term **19" system**.

#### Width:

The overall width behind the mounting flanges (incl. screws) shall be max. 449 mm. The subrack aperture width is subdivided by a modular pitch of 1 HP = 5.08 mm (2/10").

#### Height:

The subrack total height is defined by a multiple of a unit of 1 U = 44.45 mm (1 3/4").

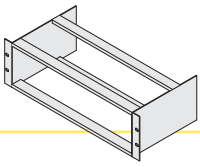
#### Depth:

The subrack total depth is not explicitly specified by the standard. The individual dimensions depend on the board depth, rear connector tails or rear input/output plug-in units.

A **slot** is a multiple of horizontal pitches and may be different in specific applications.

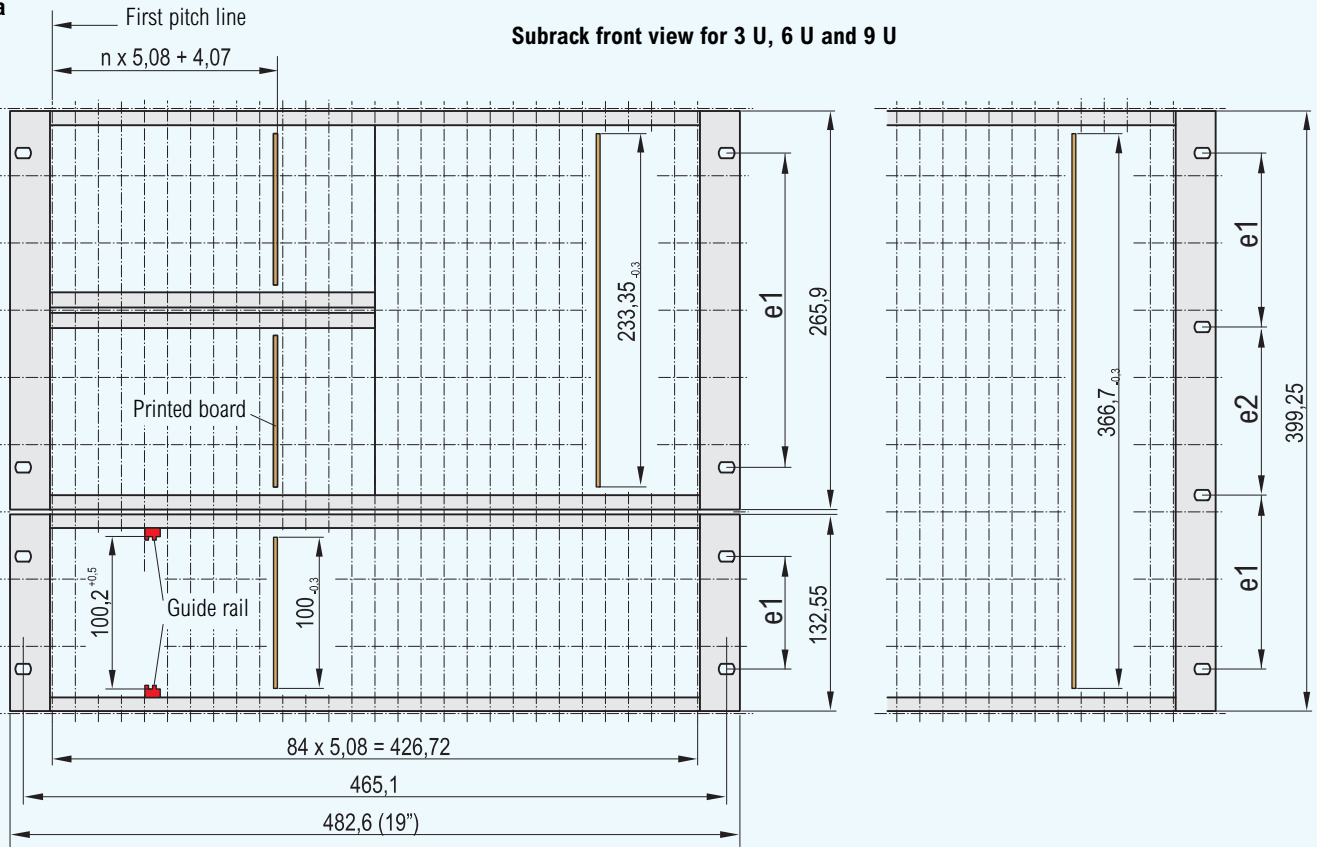
A **board type plug-in unit** consists of a printed board fitted with a front panel and a connector. The subrack aperture dimensions on the front are mirrored to the rear in case of rear mounted plug-in units.

A **box type plug-in unit** is typically housing bulky components or multiples of boards.



## 1.02 Basic subrack dimensions

Figure 2a



### Height:

1 U = 44.45 mm. Nominal:  $(44.45 - 0.8) \pm 0.4$   
 3 U =  $(3 \times 44.45 - 0.8) \pm 0.4 = 132.55 \pm 0.4$

### Width:

482.6 mm  $\pm 0.4$ .  
 Mounting grid for front panels: 5.08 mm.  
 Subrack aperture:  $> 84 \times 5.08$  mm

### Note:

The height dimension  $100.2^{+0.5}$  mm is derived from the printed board height dimension and a min. tolerance of 0.2 mm. The max. tolerance of  $0.2 + 0.5 = 0.7$  mm includes the clearance tolerance of the subrack horizontal members.

Figure 2b

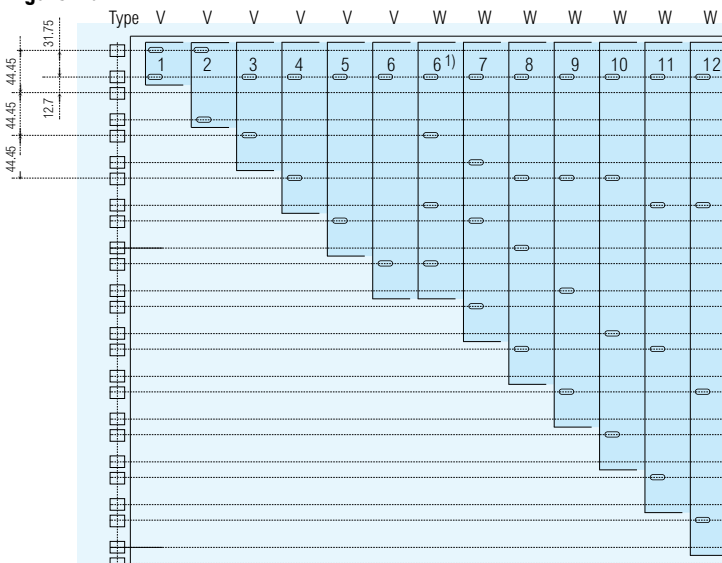
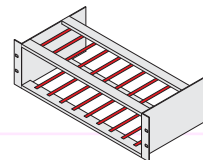


Figure 2c

Dimensions and description of front panel height arrangements				
Size	Type	Height	e1	e2
1	V	43.65	31.75	-
2	V	88.1	76.2	-
3	V	132.55	57.15	-
4	V	177.0	101.6	-
5	V	221.45	146.05	-
6	V	265.9	190.5	-
6 <sup>1)</sup>	W	265.9	76.2	57.15
7	W	310.35	57.15	88.9
8	W	354.8	76.2	101.6
9	W	399.25	120.65	101.6
10	W	443.7	165.1	101.6
11	W	488.15	146.05	133.35
12	W	532.6	190.5	133.35

<sup>1)</sup> optional design





## 1.03 Guide rail dimensions

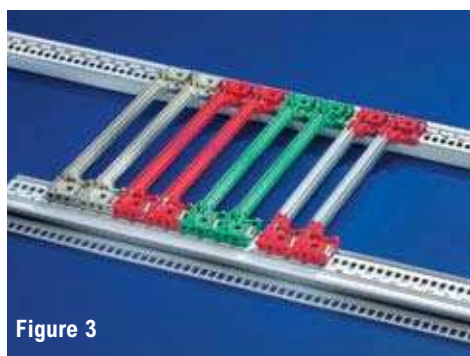
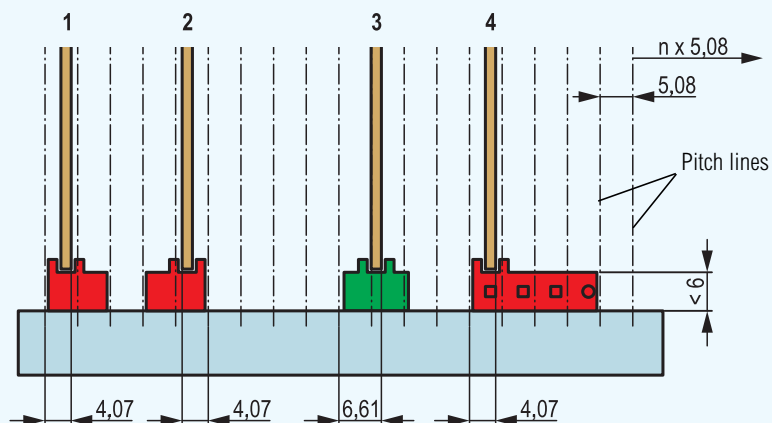


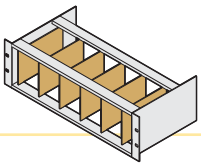
Figure 3

Printed board thickness is in general 1.6 mm. Thicker boards are possible but need to be agreed between contracting parties. If two part connectors are used the increased thickness shall be opposite to the reference plane of the board (Ref. plane = ref. to first pitch line).

Figure 4

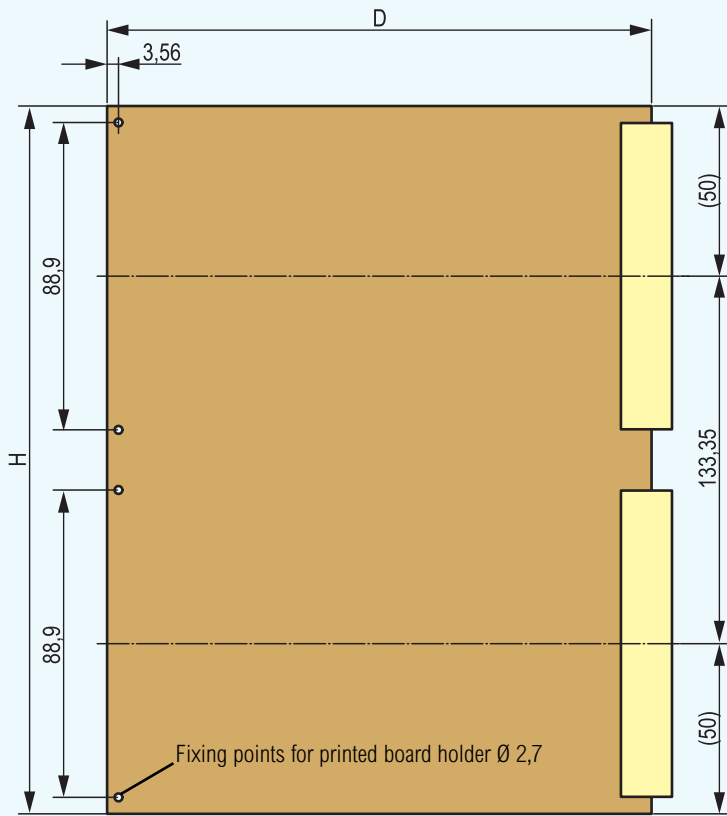


- 1 Guide rail for plug-in units as per IEC 60297-3-101.
- 2 Mirrored to version 1. Used for rear I/O or on right hand position.
- 3 Guide rail with off-set position (board shifted by 2.54 mm).
- 4 Guide rail with keying and alignment pin receptacle as per IEC 60297-3-103 (see also 1.11).



## 1.04 Printed boards

Figure 5



The printed board dimensions are specified in IEC 60297-3-101. The figure below shows a typical 6 U board.

### Dimensions:

The printed board dimensions are defined as the base of the Eurocard form factor ( $H = 100 \times D = 160$  mm).

### Height:

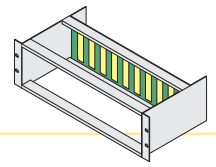
The height increments are in accordance to the units of the subrack (1 U = 44.45 mm). The table shows the most popular board formats.

### Thickness:

The thickness of a board is, if nothing specifically required 1.6 mm. Thicker boards should be agreed between user and vendor with respect to the accessories concerned, e. g. guide rails. IEC 60297-3-101 as the relevant standard for 19" based subracks deals with two part connectors of the series IEC 60603-2, IEC 61076-4-113 and IEC 61076-4-101. Other connectors may influence the board or subrack depth dimensions.

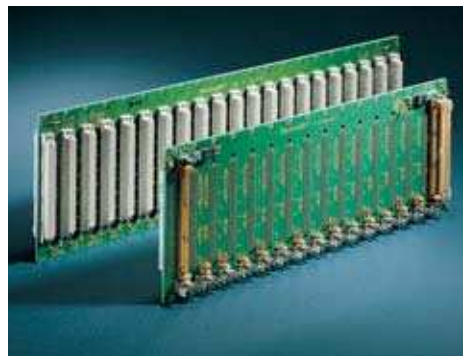
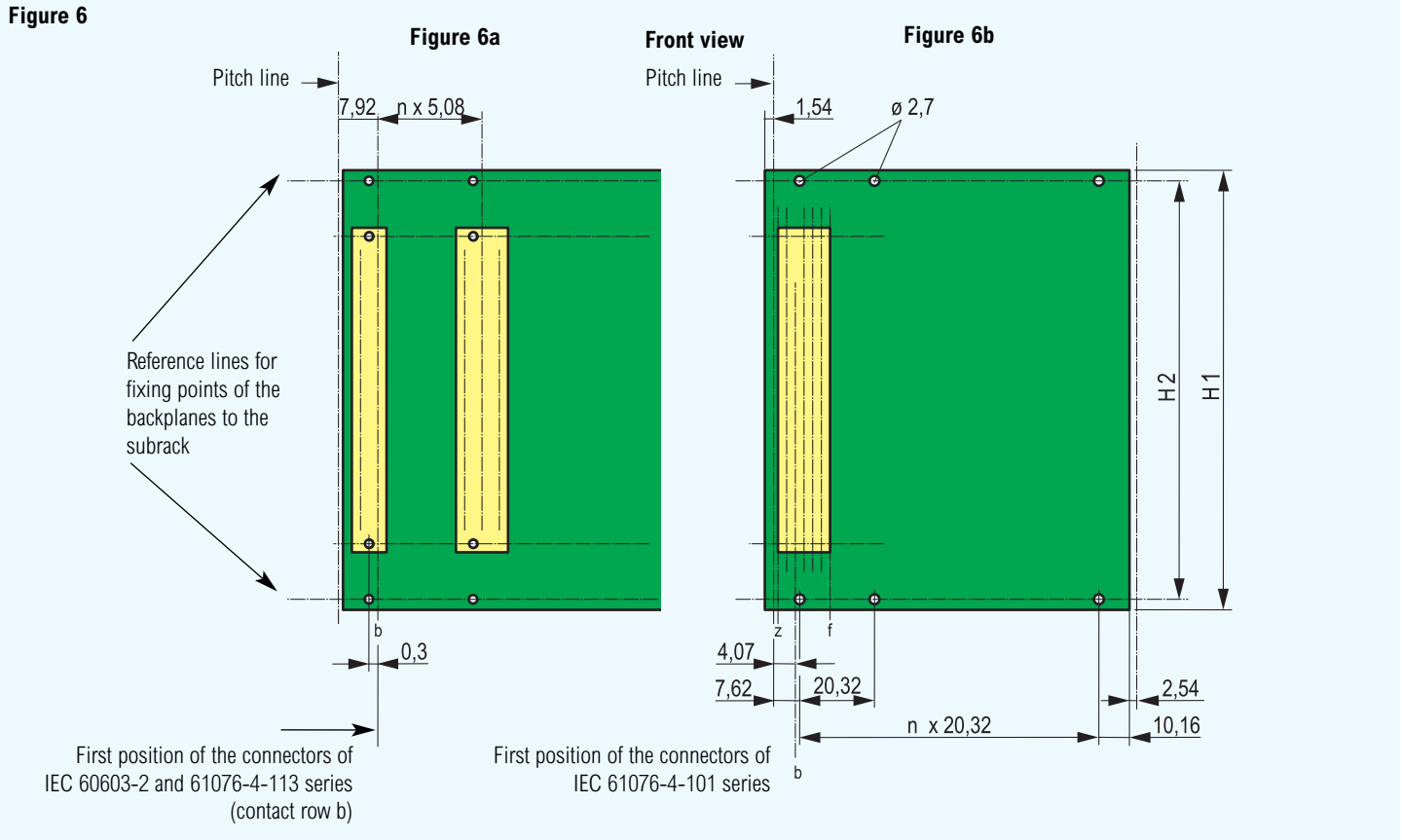
Table 1

Printed board	
Height H +0/-0.3	Depth D +0/-0.3
	80
3 U = 100	100
6 U = 233.35	160
9 U = 366.7	220
	280



## 1.05 Connectors and backplanes

Figure 6

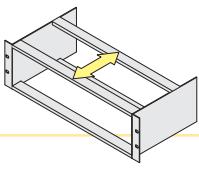


The connectors of the above described IEC series fit on the backplane within the same slot width but with different reference dimensions of the contact grids to the pitch line. The contact grid in figure 6a is 2.54 mm and 2 mm in figure 6b.

Typical applications for the IEC 60603-2 and IEC 61076-4-113 series are VME64 and VME64x. IEC 61076-4-101 series connectors are used for Compact PCI.

The formula for  $H1 = n \times U - 4.8$   
 Example for 3 U =  $3 \times 44.45 - 4.8 = 128.55$

The formula for  
 $H2 = n \times U - 10.85 = 3 \times 44.45 - 10.85 = 122.5$



## 1.06 Subrack depth mounting dimensions

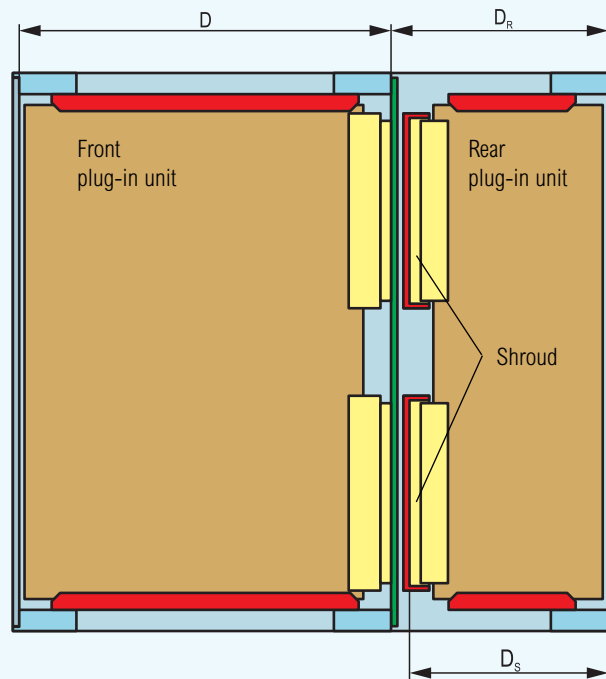
### Inspection dimensions for the subrack front depth $D$ from the front attachment plane to the backplane attachment plane

The formula for connectors type IEC 60603-2 and 61076-4-113 (application example VME) is the same as for connectors type IEC 61076-4-101 (application example CPCI):

$$D = \text{printed board depth} + 15.6$$

(e. g.  $160 + 15.6 = 175.6$ ).

Figure 7



### Inspection dimensions for the subrack rear depth $D_R$ from the rear attachment plane to the backplane attachment plane

#### Application example VME

The formula for connectors type IEC 60603-2 and 61076-4-113 is:

$$D_R = \text{printed board depth} + 22.48$$

(e. g.  $80 + 22.48 = 102.48$ ).

#### Application example CPCI

The formula for connectors type IEC 61076-4-101 is:

$$D_R = \text{printed board depth} + 20$$

(e. g.  $80 + 20 = 100$ ).

### Explanations for the rear arrangement of plug-in units

For I/O interface the rear plug-in units are fitted with the inverted versions of the connector types. This allows the plug-in function to be directly on the tails of the front connectors protruding from the backplane. The shroud is used as a mechanical support to align the rear plug-in function and to protect the tails from damage.

### Inspection dimensions for the shroud $D_S$ from the rear attachment plane to the bottom of the shroud

#### Application example VME

The formula for connectors on the rear plug-in unit type IEC 60603-2 (inverted version) is:

$$D_S = \text{printed board depth} + 10.28$$

(e. g.  $80 + 10.28 = 90.28$ ).

#### Application example VME64 extension

The formula for connectors type IEC 61076-4-113 is:

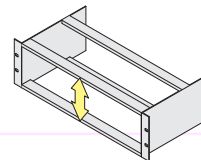
$$D_S = \text{printed board depth} + 12.78$$

#### Application example CPCI

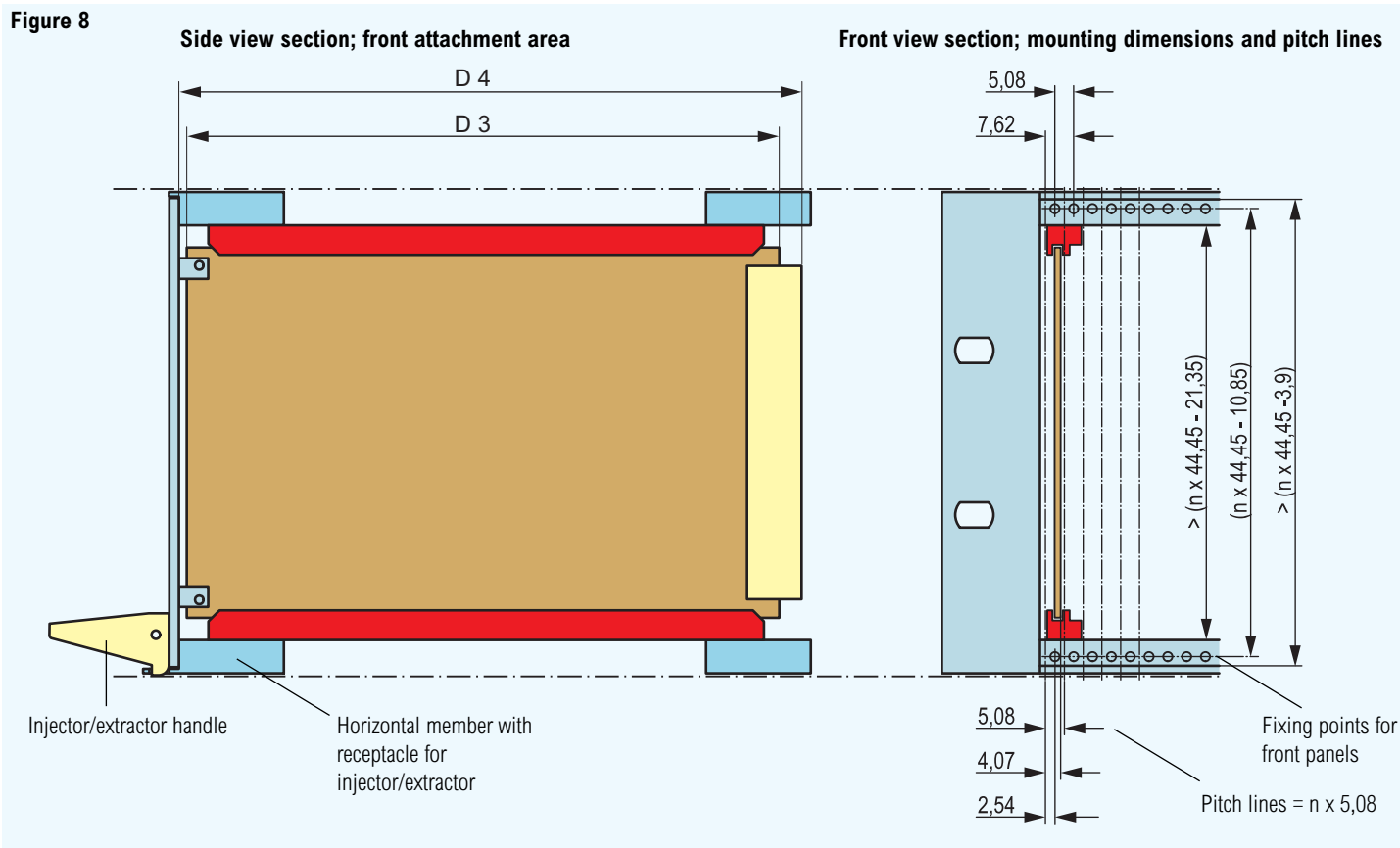
The formula for connectors type IEC 61076-4-101 is:

$$D_S = \text{printed board depth} + 12.14$$

The max. thickness of the backplane should not exceed 6 mm.



## 1.07 Subrack front mounting dimensions



### Subrack front design alternatives

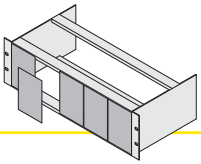
For the subrack front design two options are applicable: Horizontal members with or without injector/extractor receptacle.

For details see IEC 60297-3-101 and IEC 60297-3-102.

**Table 2**

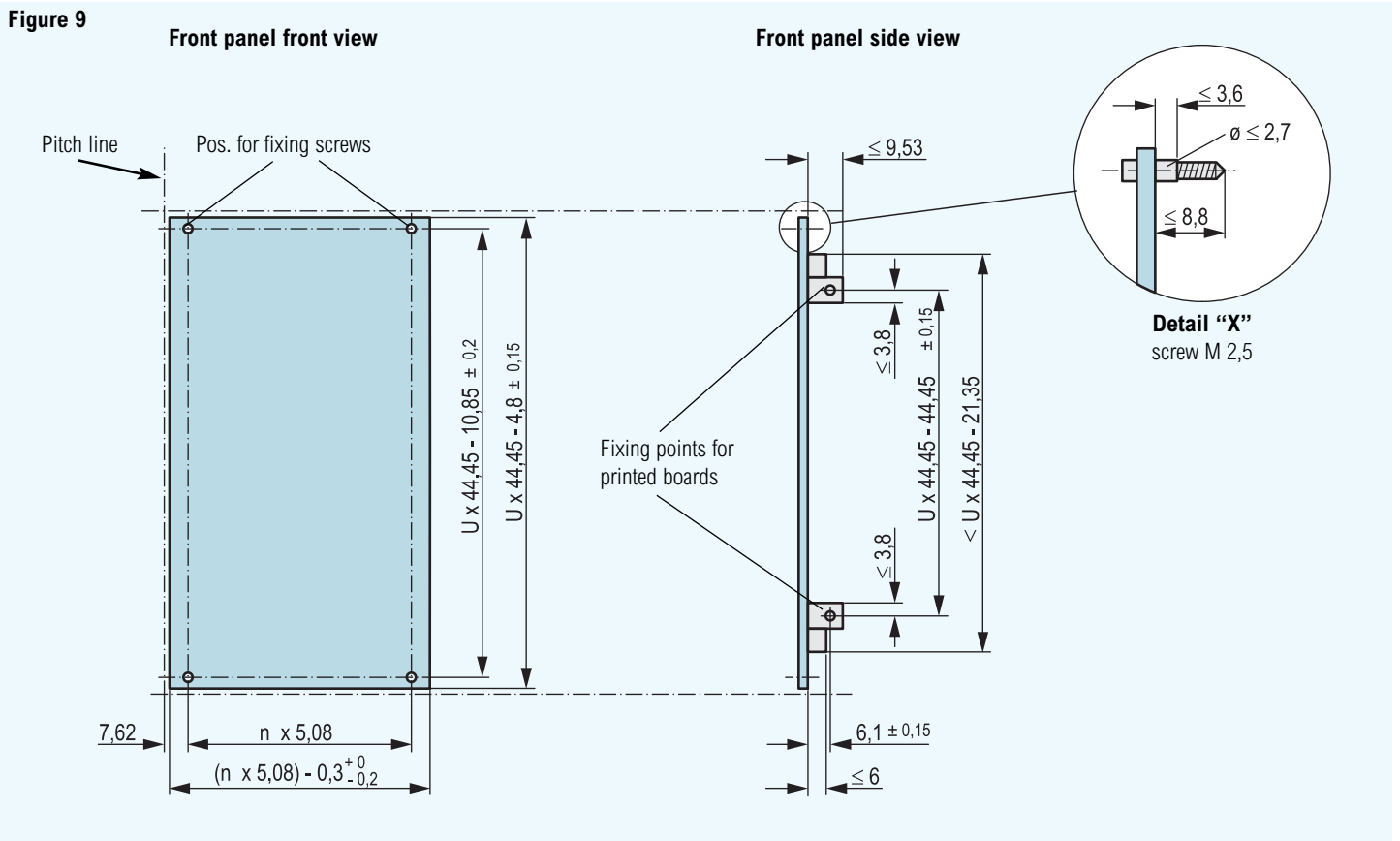
	Inspection dimensions for plug-in units			
<b>D 3</b> - 0.3 1)	80.00	160.00	220.00	280.00
<b>D 4</b> ± 0.4 2)	89.93	169.93	229.93	289.93
<b>D 4</b> ± 0.4 3)	91.93	171.93	231.93	291.93
<b>D 4</b> ± 0.4 4)	91.74	171.74	231.74	291.74

- 1) Printed board depth
- 2) Depth inspection dimension with connector IEC 60603-2, Type B, C, D and IEC 61076-4-113
- 3) Depth inspection dimension with connector IEC 60603-2, Type F, G and H
- 2) Depth inspection dimension with connector IEC 61076-4-101



## 1.08 Dimensions of subrack associated plug-in units

Figure 9



The drawings above illustrate the dimensional rules of the front panels within the pitch lines of a subrack and the reference fixing points for printed boards at the rear of a front panel. Detail "X" is the only standardised fixture but may be replaced by individual fasteners if agreed between vendor and user.

**The box type plug-in unit** usually consists of a metal housing in which one or more printed boards may be located. The front panel and the connector positioning follows the same dimensional rules as those applying to the printed board type plug-in units.

### Plug-in units

Subrack related plug-in units are the sub-assemblies of a subrack. There are principally two versions: The printed board type and the box type plug-in units.

**The printed board type plug-in unit** consists of a printed board as the carrier of the circuitry and the electronic components including the connector and a front panel.

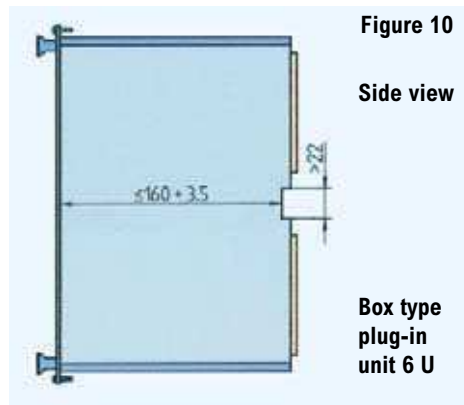
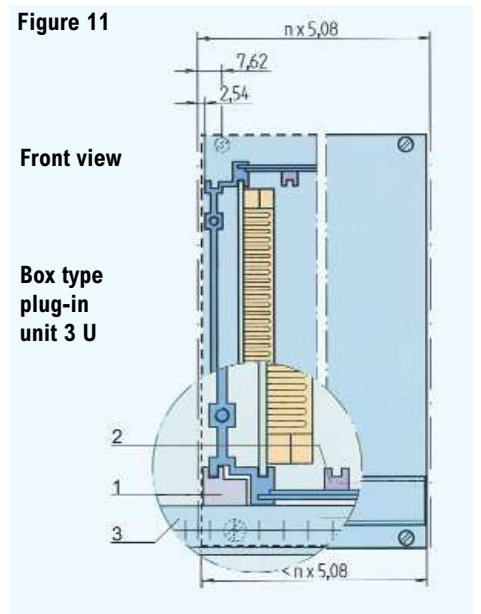


Figure 10

Side view

Box type  
plug-in  
unit 6 U

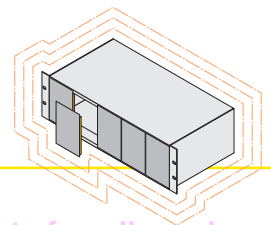
Figure 11



Front view

Box type  
plug-in  
unit 3 U

- 1) Guide rail in the subrack
- 2) Guide rail in the frame-type plug-in unit
- 3) Horizontal rail in the subrack



## 1.09 Subrack/front panel shielding interface dimensions

Figure 12

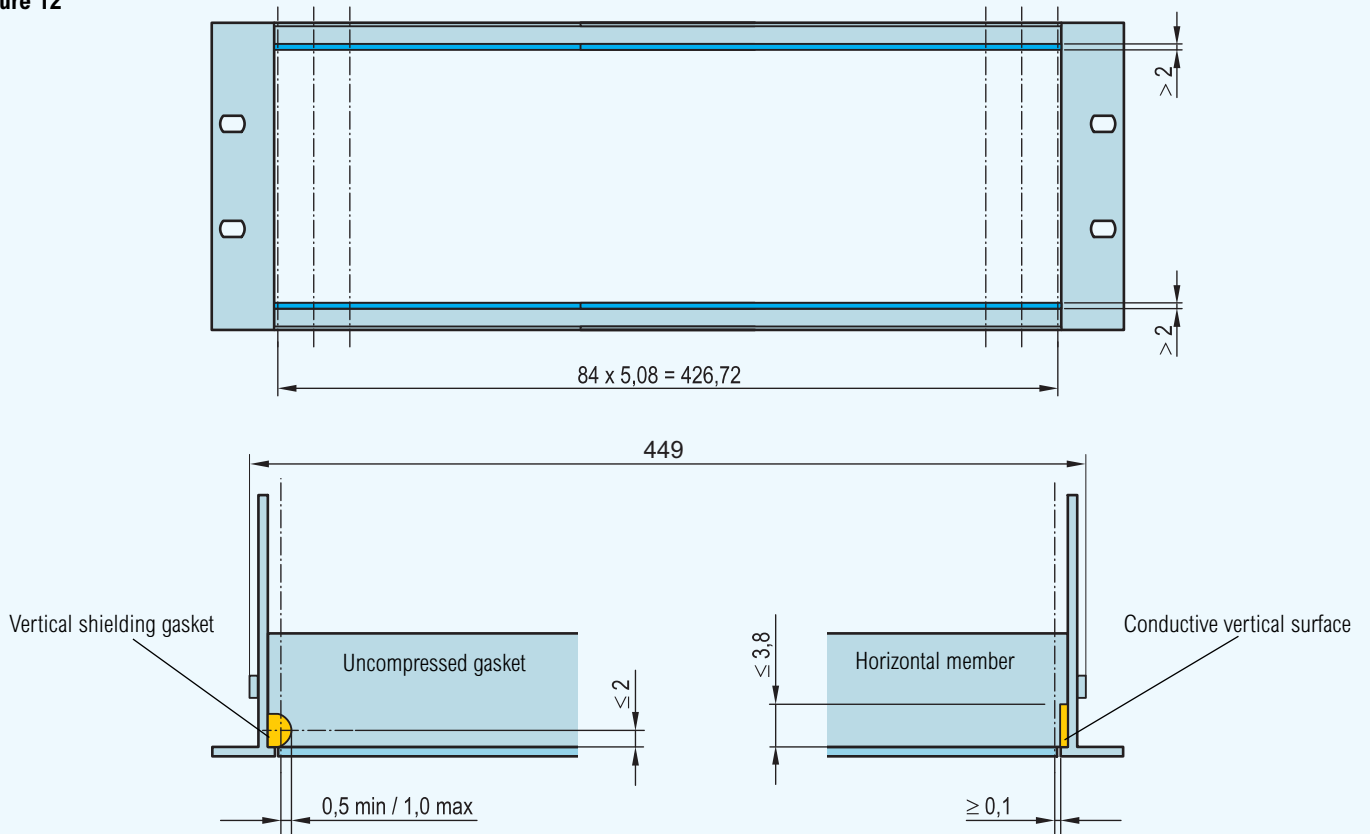
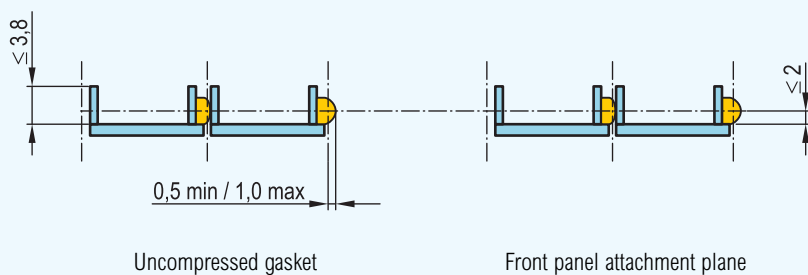


Figure 13

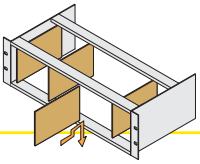
### Front panel top view cross section



### Subrack/front panel shielding

Shielding measures against high frequency interference are defined by standardised dimensions on the front area only. Other areas of a subrack are not critical regarding the compatibility of plug-in units and are therefore left to individual measures. If rear plug-in units are used the dimensions of the front area should be mirrored.

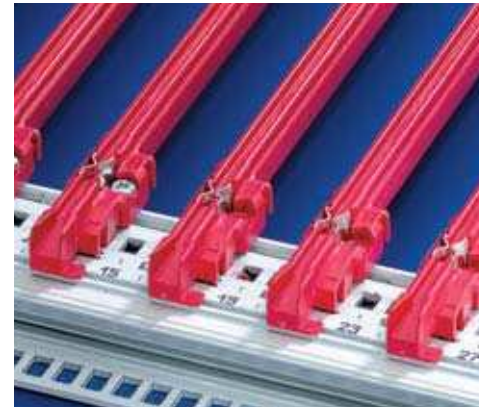
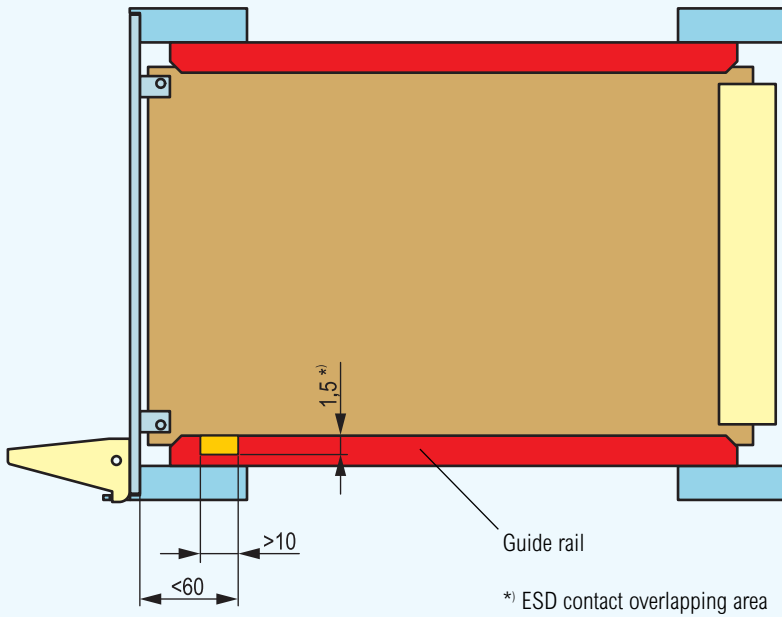
Missing dimensions see IEC 60297-3-101.



## 1.10 Subrack/plug-in unit electrostatic discharge provisions (ESD)

Figure 14

Side view cross section: front attachment area

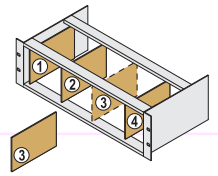


### Electrostatic discharge

IEC 60297-3-101 describes an optional method of electrostatic discharge. It is a contact clip which can be placed into the guide rails, close to the front of the subrack. Usually the guide rails are made of insulating material and if prepared accordingly by the vendor, the same guide rails will mostly accept the ESD clip even when retrofitted.

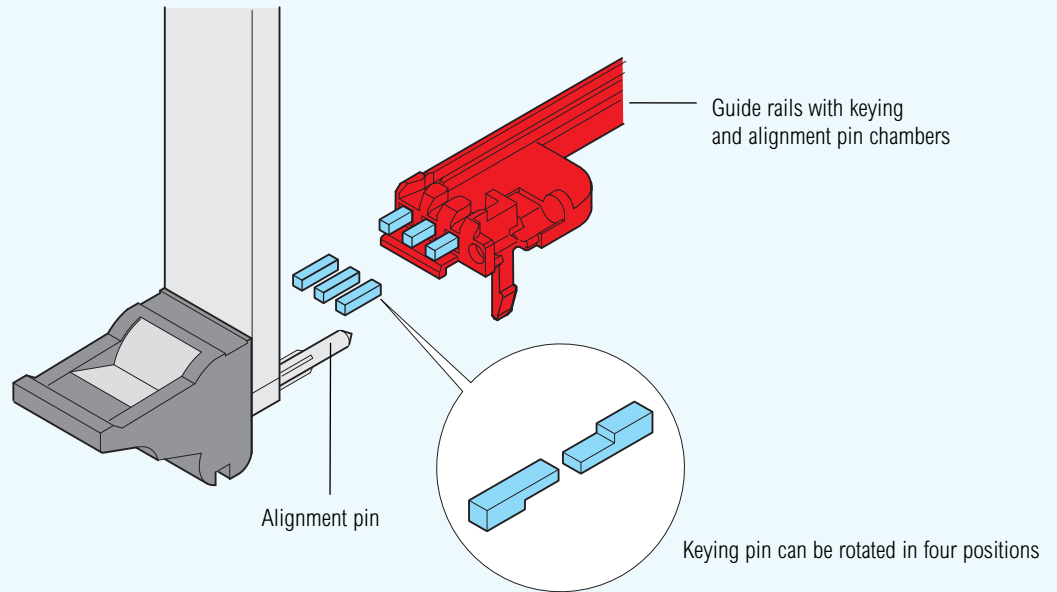
For the proper function the clip has to connect to grounded parts of the subrack and to conductive sections on the printed board. In order to avoid discharge sparks a discharge resistor should be used on the printed board.





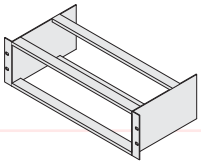
## 1.11 Subrack/plug-in unit keying and alignment pin

Figure 15



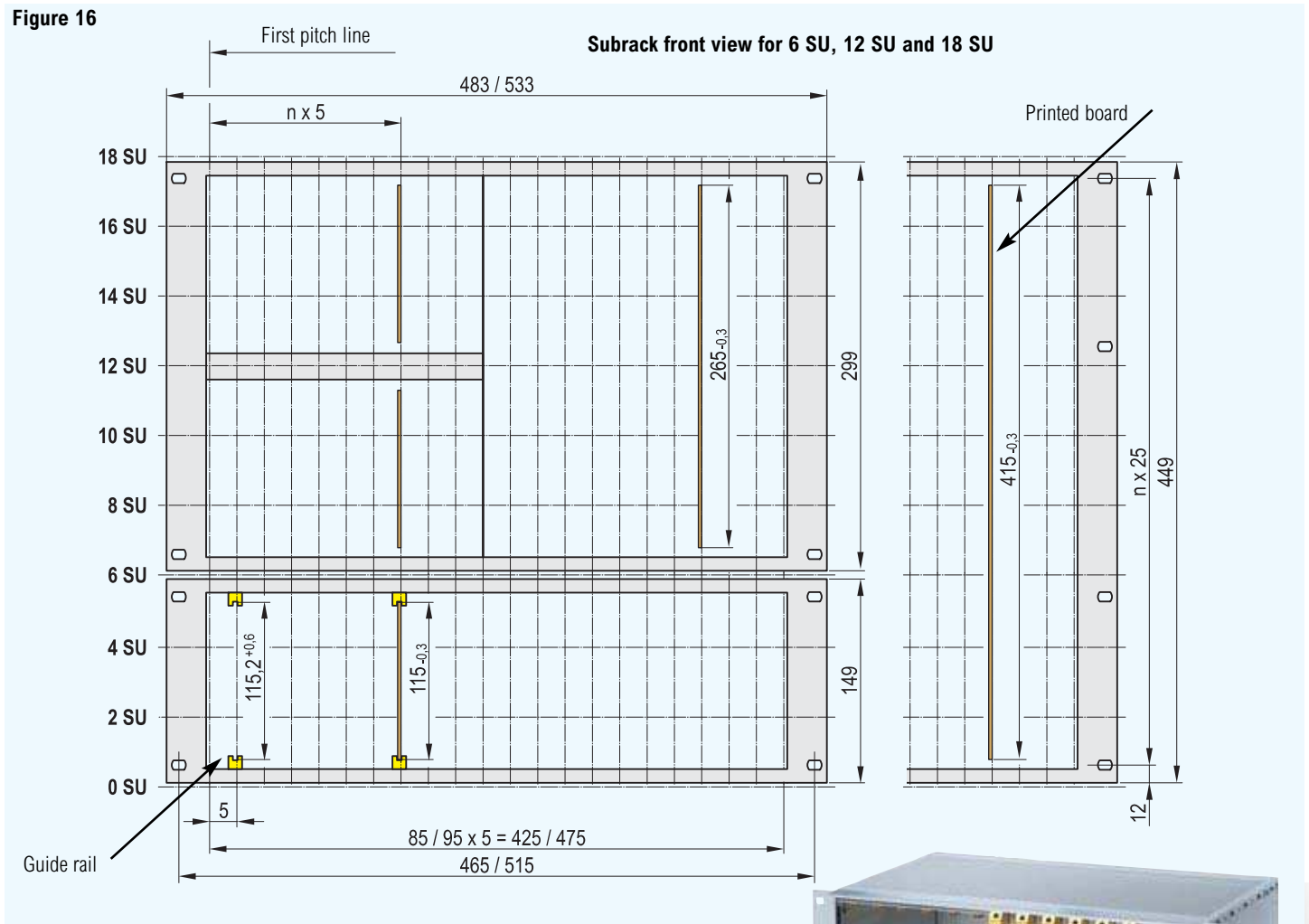
### Keying and alignment pin

IEC 60297-3-103 describes an arrangement of keying and alignment between the plug-in unit front panel and the subrack. This method of keying was chosen for the standard instead of connector related solutions for the benefit of maximum design freedom on the backplane. The alignment pin is designed for the correct positioning of EMC shielded front panels and in specific applications as a discharge pin between the front panel and the subrack. For both solutions, keying and alignment, caution is needed when selecting the subrack and the front panels since retrofitting might become very costly.



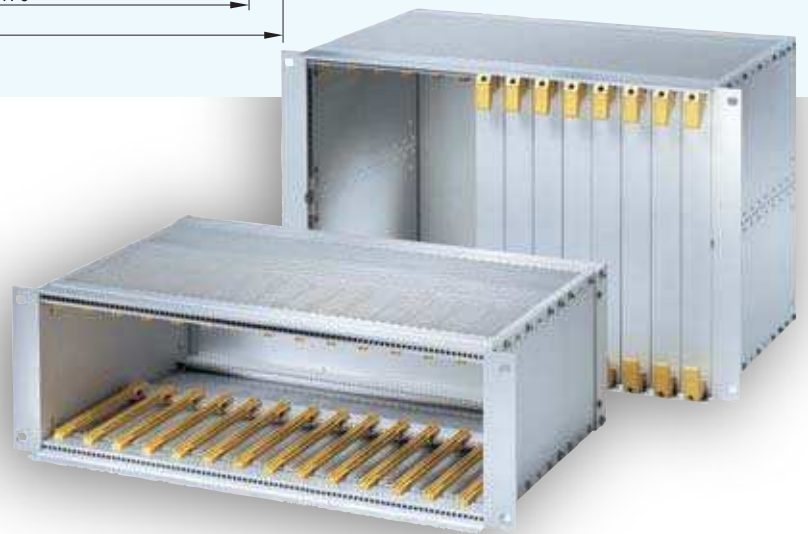
## 1.12 Subrack dimensions for the 25 mm series, IEC 60917-2-2

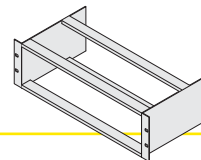
Figure 16



### Metric Equipment Practice

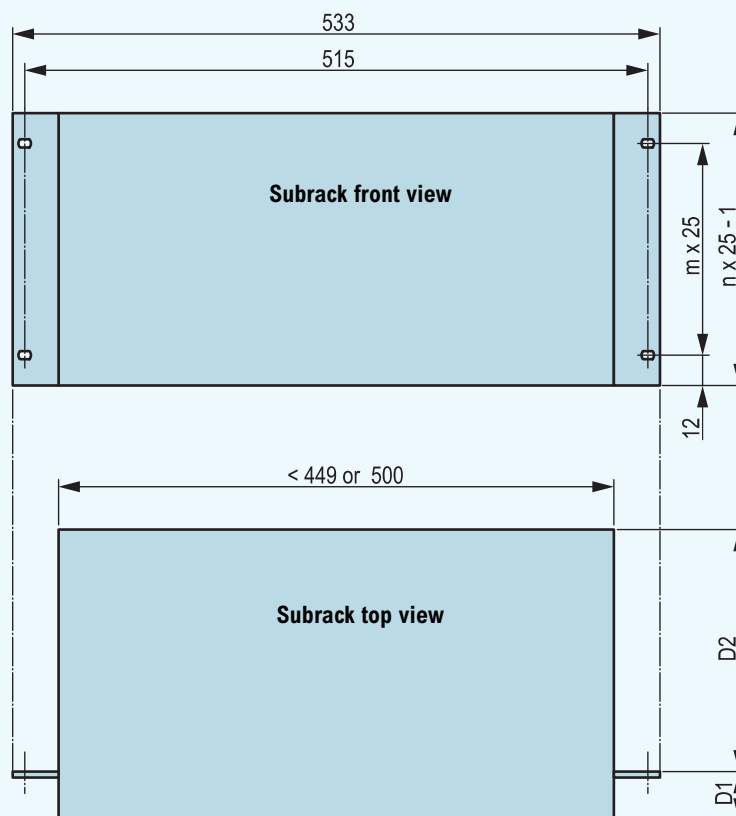
In the mid 80's the standardisation within IEC generated a new equipment standard based on the vision of a true three dimensional structure with a homogeneous metric system grid. The envisaged benefits were mainly CAD-CAM oriented and general design improvements with regard to some weak points in the existing 19" standard. As a result the IEC 60917 series was developed, comprising cabinet and subrack application dimensions and also general rules for further equipment standard developments. The main system grid is 25 mm with subdivisions of 2.5 and 0.5 mm.





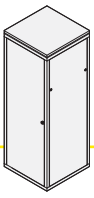
### 1.13 Subrack dimensions for ETS 300 119-4 (European Telecom Standards)

Figure 17



#### Subracks of the ETS standard

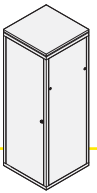
In the early 90's the European Telecommunications Standardisation Institute developed the ETS 300 119 series for their specific technical needs and also for better coordination between the development of equipment within the joining countries. The contents of the mechanical specifications take care of the compatibility of subrack type equipment and the installation requirements for racks and cabinets. The ETS standard represents an extract of the 25 mm metric standard (IEC 60917 series) for compatibility reasons on subrack level but it leaves out more details as for subrack related plug-in units. The ETS standard also allows for adaptation between metric and 19" subracks.



## 2.00 Design guide for indoor cabinets

2.00





## 2.01 Cabinet dimensions of the 482.6 mm (19") standards series, IEC 60297-2

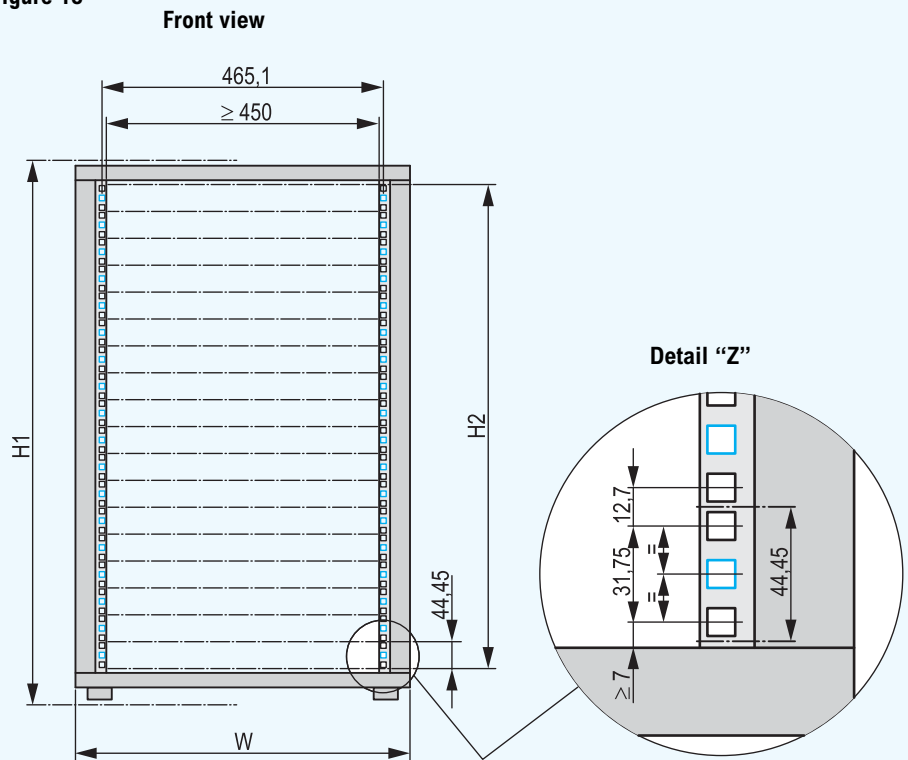
### Cabinet Dimensions

The cabinet aperture is divided in height units (U) of 44.45 mm. The table of height units (table 3) indicates the minimum usable units with reference to the total height of a cabinet. H 1 includes feet and castors.

The preferred fixing thread should be M 6. Cage nuts may be used by locating into square holes.

The table 4 indicates recommended width and depth dimensions for cabinets.

Figure 18



\*) Detail "Z" illustrates the pattern of fixing points. The black marked holes are in compliance to the hole pattern of front panels or subracks. The blue marked holes are usable for any other purpose.

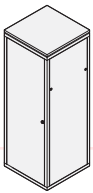
Table 3

Height		
H1 (mm)	H 2 (mm)	Units (U)
800	577.85	13
1000	800.10	18
1200	977.90	22
1400	1200.15	27
1600	1377.95	31
1800	1600.20	36
2000	1778.00	40
2200	2000.25	45

Table 4

Width and Depth	
W (mm)	D (mm)
550	400
600	600
700	800
800	900
900	

Note: the width and depth dimensions may be used in any combination.



## 2.02 Cabinet dimensions of ETS 300 119-3 (European Telecom Standards)

Figure 19

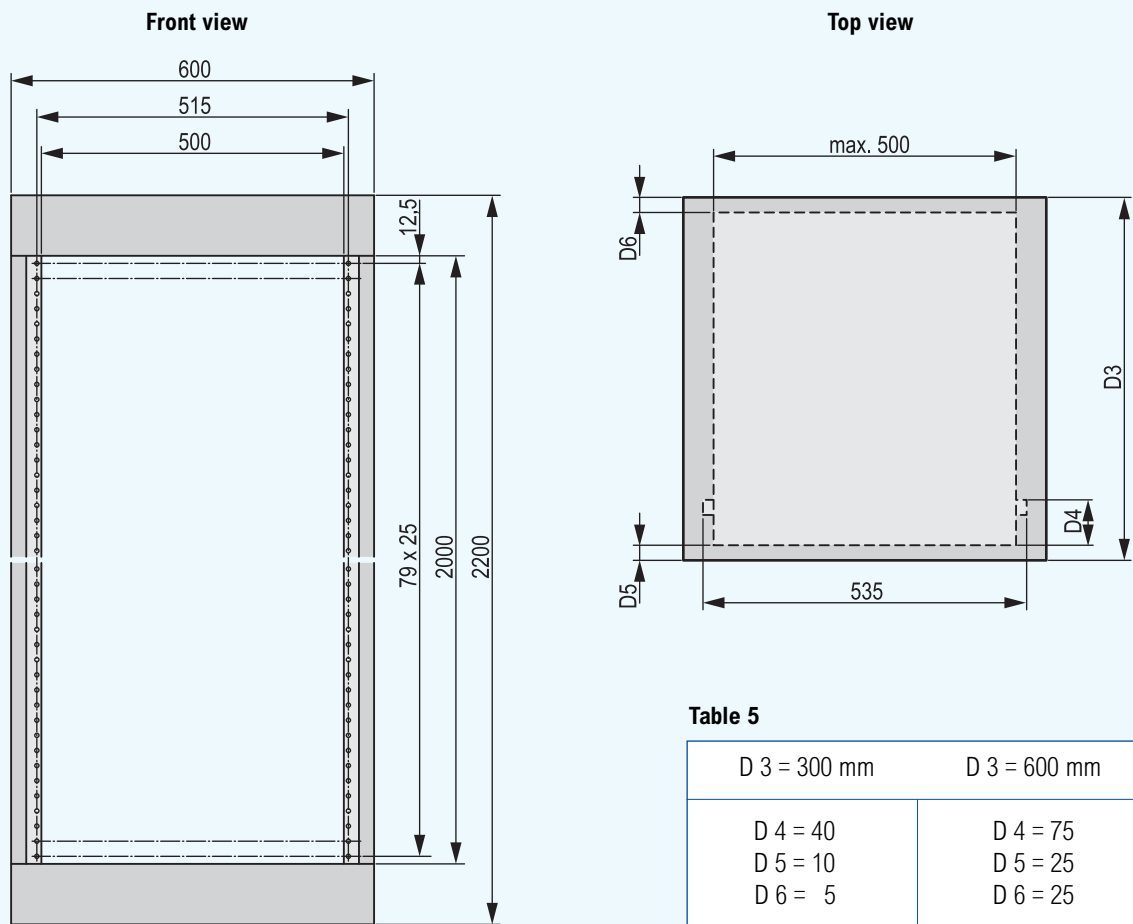
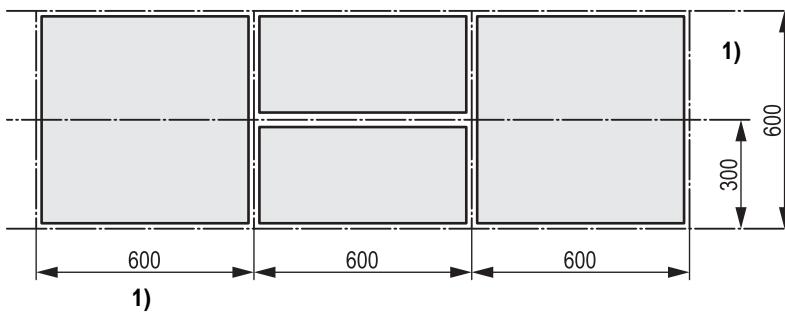
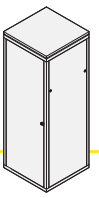


Figure 20

### Possible floor arrangement



1) The total width and depth dimensions of the cabinet shall be smaller than the pitch lines in order to fit into the footprint.

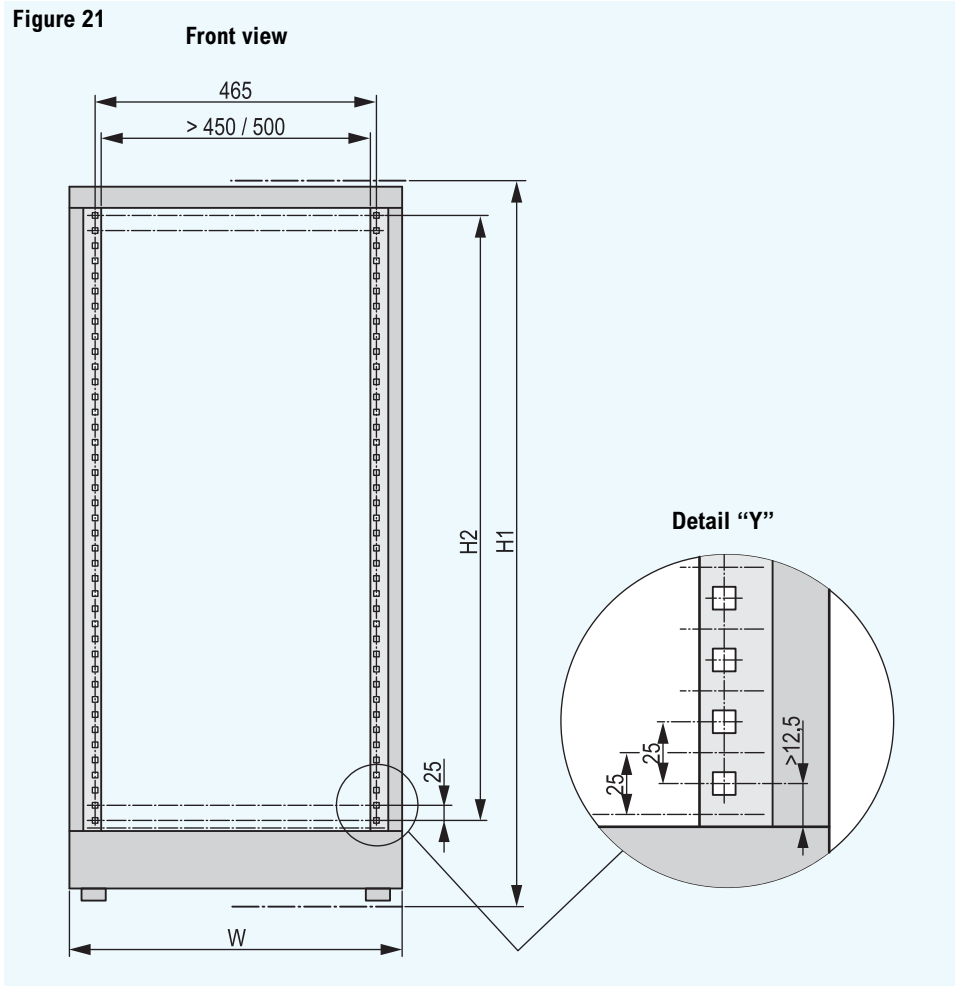


## 2.03 Cabinet dimensions for the 25 mm standard series, IEC 60917-2-1

### Cabinet Dimensions

The cabinet aperture height is divided by system units (SU) that are 25 mm high. The table of height units (table 6) indicates the minimum usable inside units with reference to the total outside height of a cabinet. H 1 includes feet and castors.

The table 7 indicates recommended width and depth dimensions for cabinets.



\*) Detail “Y” illustrates the pattern of fixing points. The preferred fixing thread should be M 6. Cage nuts may be used by clipping into square holes.

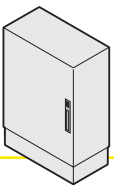
**Table 6**

Height		
H1 (mm)	H 2 (mm)	Units (SU)
800	550	22
1000	750	30
1200	950	38
1400	1150	46
1600	1350	54
1800	1550	62
2000	1750	70
2200	1950	78

**Table 7**

Width and Depth	
Width (mm)	Depth (mm)
550	400
600	600
700	800
800	900
900	

Note: the width and depth dimensions may be used in any combination.



### 3.00 Outdoor enclosures

# 3.00





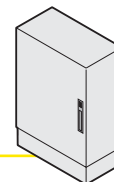
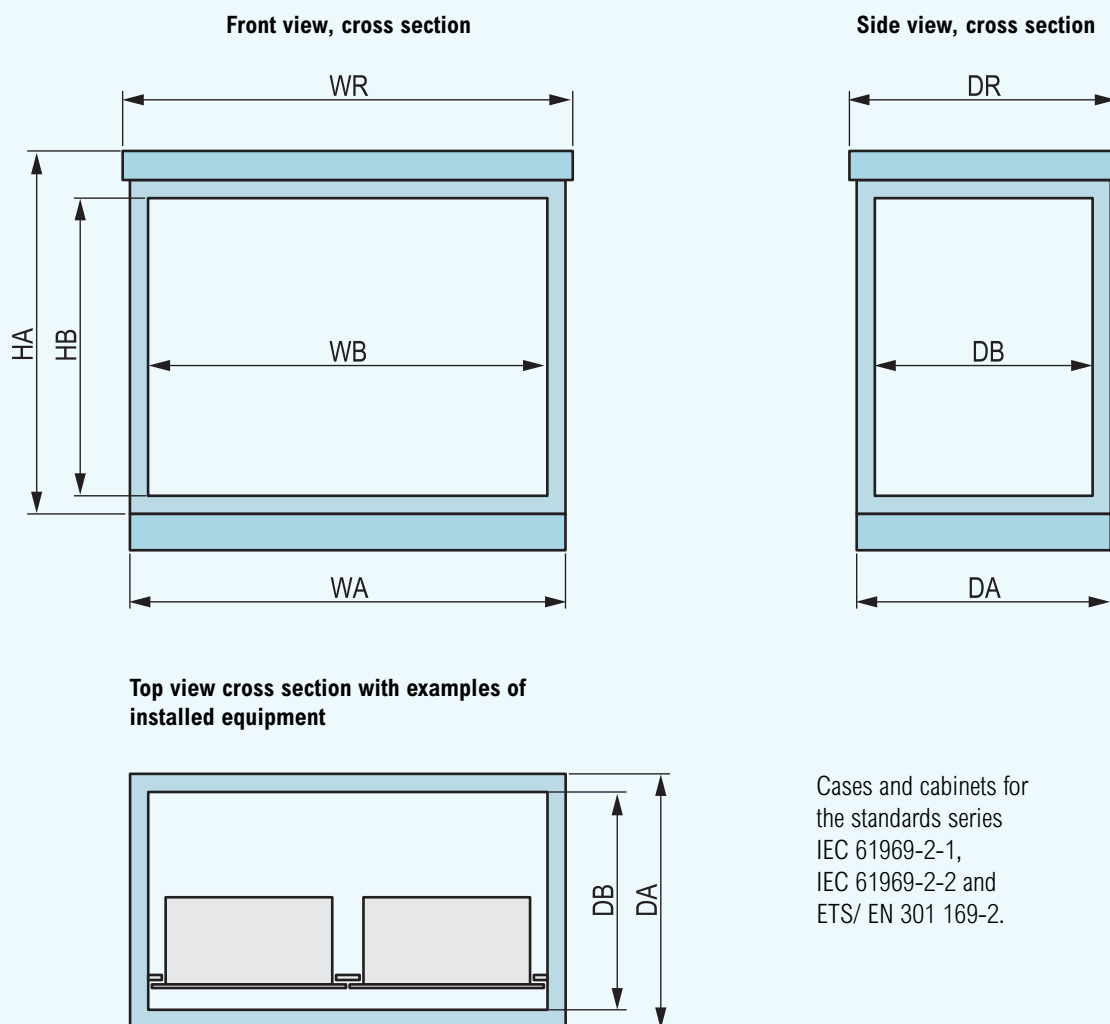


Figure 22



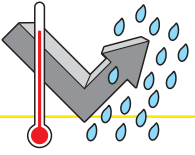
Cases and cabinets for the standards series IEC 61969-2-1, IEC 61969-2-2 and ETS/ EN 301 169-2.

The dimensions shown in the table are preferred dimensions only, selected from IEC 61969-2-1, IEC 61969-2-2 and ETS / EN 301 169-2. The roof dimensions (WR and DR) may exceed the enclosure by max 25 mm on each side. The dimensions of the plinths are not considered as part of the enclosure and may increase by  $n \times 25$  mm. Missing or additional dimensions: see referenced standards.

Table 8

HA	HB	WA	WB	DA	DB
600	400	700	535		
1000	800	900	735	400	300
1200	1000	1300	1135	700	600
1400	1200	1900	1735		
1800	1600				

All dimensions in mm.



## 4.00 Climatic and physical tests for subracks and cabinets in accordance to IEC 61587-1, -2, -3

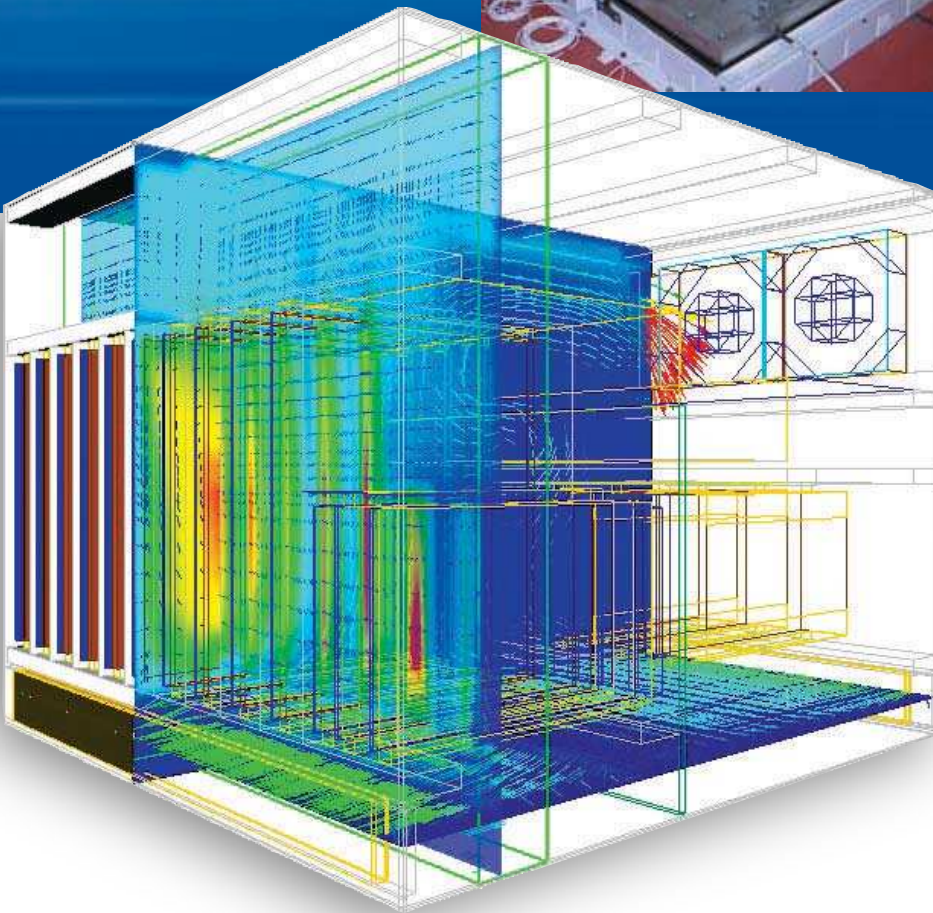
4.00



Subrack electromagnetic shielding performance test



Subrack shock and vibration test



Subrack thermal simulation



The standard IEC 61587 series consists of three parts:

**Part 1:** Climatic, mechanical tests and safety aspects.

**Part 2:** Seismic tests.

**Part 3:** Electromagnetic shielding performance tests.

All tests apply to non-operating equipment in order to support the selection of standard products. The intention of these standards is to set minimum levels of product integrity for the mechanical structure of standard compliant mechanics. By using off-the-shelf products the specified performance will provide reference values for the individual design requirements. Thus development risks and leadtime will be significantly reduced.

#### 4.01 Climatic tests

The climatic tests to IEC 61587-1 contain a variety of temperature, humidity and industrial atmosphere tests in indoor and outdoor environments. The tests may be performed statically to check the applied materials or in conjunction with dynamic stress on dummy samples for the assessment of structural parts of an equipment.

Table 9

Performance Level		
1	2	3
<b>Office, laboratory environment</b> -10 °C to +55 °C 20 % to 80 % RH	<b>Production, storage environment</b> -25 °C to +70 °C 20 % to 80 % RH	<b>Outdoor, tropical environment</b> -40 °C to +85 °C 20 % to 95 % RH
<b>Industrial atmosphere</b> Low chemical concentration Sulph. diox. SO <sub>2</sub> 10 cm <sup>3</sup> /m <sup>3</sup> Hydro. Sulph. H <sub>2</sub> S 1 cm <sup>3</sup> /m <sup>3</sup>	<b>Industrial atmosphere</b> High chemical concentration Sulph. diox. SO <sub>2</sub> 25 cm <sup>3</sup> /m <sup>3</sup> Hydro. Sulph. H <sub>2</sub> S 15 cm <sup>3</sup> /m <sup>3</sup>	<b>Industrial atmosphere</b> Seaborn, chemical atm. Sulph. diox. SO <sub>2</sub> 25 cm <sup>3</sup> /m <sup>3</sup> Hydro. Sulph. H <sub>2</sub> S 15 cm <sup>3</sup> /m <sup>3</sup>

RH (relative humidity)

The assessment of test results shall be that no parts have deteriorated in form, fit and function. For complete information about climatic tests, including industrial atmosphere, see IEC 61587-1.

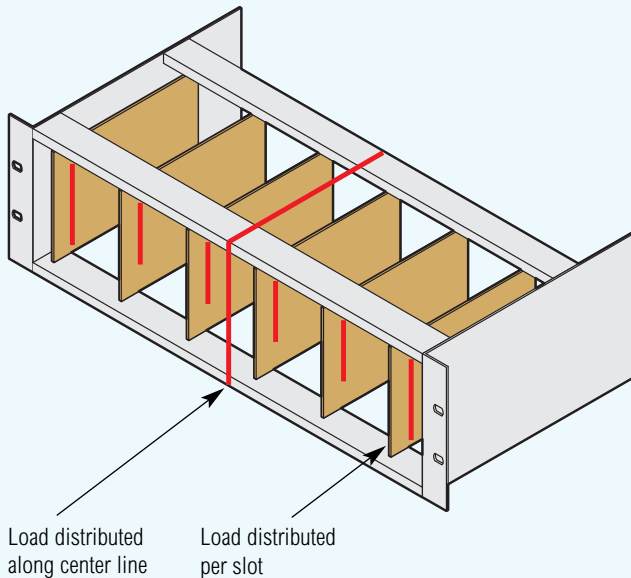


## 4.02 Static load and dynamic tests for subracks and cabinets in accordance to IEC 61587-1

### Subracks

To test the structural stiffness of the subrack it should be mounted into a fixture simulating the mounting conditions in a cabinet.

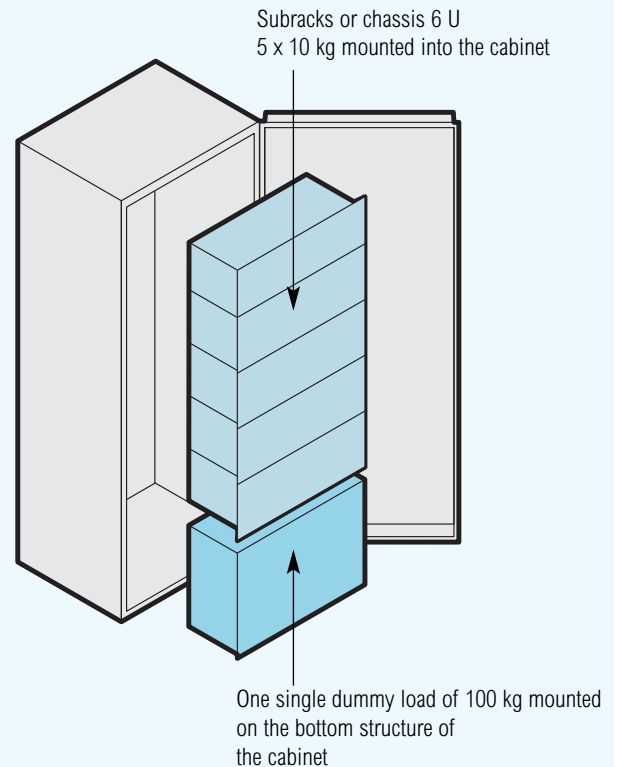
Figure 23



### Cabinets

The test conditions as specified in IEC 61587-1 are intended to check the cabinet structure for lifting, stiffness and the impact of dynamic stress in respect to three typical fields of application.

Figure 24



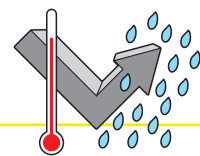
**The static load test** is intended to check the stiffness of the load bearing parts. The maximum deflection of bottom parts shall not exceed 0.4 mm in order to ensure engagement of the printed boards within the guide rails. The 0.4 mm maximum deflection was defined with regard to the height dimension tolerance of the subrack and the overlap between the guide rails and the printed boards. To check the stiffness the test sample should be loaded with 6 equal dummy boards of 1.15 kg each or one load on the center line and simulated by an applied force of 46 N. The static load test is passed if the deflection of the bottom structural member does not exceed 0.4 mm.

**The dynamic test** is intended to check typical subracks with shock and vibration as it may occur during normal handling and transportation. The printed boards should be fitted with front panels and bolted to the subrack. To simulate real equipment the printed boards should be fitted with connectors and mating connectors fixed to the rear members of the subrack. The total load of a 3 U subrack should be 3.5 kg and the load of a 6 U subrack should be 7 kg, equally distributed in 14 slots (3 U load per slot = 0.25 kg and 6 U load per slot = 0.5 kg). There are three severity classes of shock and vibration values which may be classified for equipment used under stationary or mobile conditions as well as under extreme dynamic stress (acceleration values of 1 g, 2 g and 5 g). For more details see IEC 61587-1.

**The lifting test** should be performed by using a lifting rig applied to the lifting eyes of the cabinet and by fixing the cabinet to the floor. Three severity levels are defined, taking the different cabinet load classes in account: 3000 N, 6000 N and 12000 N applied to the lifting eyes, evenly distributed.

**The stiffness test** is intended to prove the rigidity of the cabinet structure. For this test the cabinet should be fixed to the floor and side forces of 500 N, 1000 N and 2000 N should be applied to the upper area of the cabinet, within 100 mm under the top edge and along the full depth. This test will be also used as an indicator of the behavior in a seismic test.

**The dynamic test** is intended to check a dummy loaded cabinet with shock and vibration as it may occur during normal handling and transportation. Three severity levels are specified, simulating stress in typical fields of application (as described for subracks). The tests are passed if no deformation or damage of parts can be detected, affecting fit, form and function.



### 4.03 Environmental requirements for outdoor enclosures in accordance to IEC 61969-3

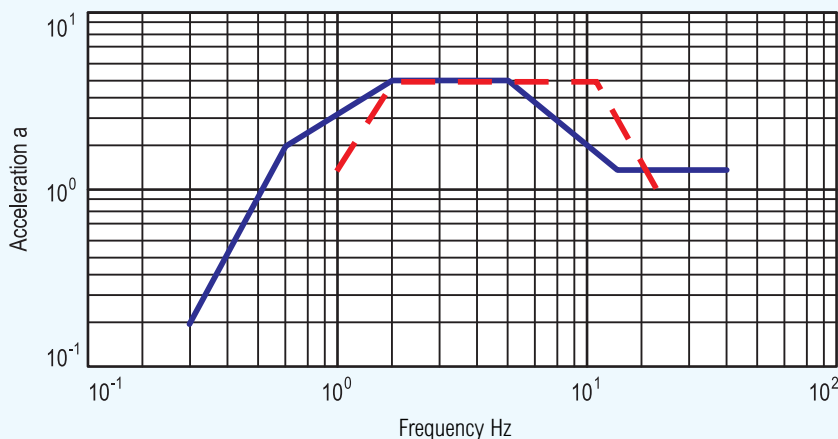
Electronics/electrical installations in outdoor environment need specific design measures especially if the place of installation is located in public areas. With this focus IEC 61969-3 specifies the requirements and tests, in addition to the contents of IEC 61587-1. Climatic test: The values of cold and heat, as well as protection against wind driven rain are chosen in order to simulate harsh environment conditions, e. g. icing. This test concerns

mainly handles, locks, doors and gaskets. The design of those parts shall provide access for maintenance under severe conditions without degradation of the protection levels. Vandalism resistance shall be considered and designed by using heavy latching, locking and hinge parts. For details see IEC 61969-1.



### 4.04 Seismic tests in accordance to IEC 61587-2

Figure 25



The object of the seismic test is to prove physical integrity represented by a typical set-up, similar to the figure given under 4.02.

There are two severity levels indicating the requirements of different geographic regions: Japan and North America.

The tests are passed if no deformation or damage can be detected affecting fit, form and function.

Japan -----

North America —————



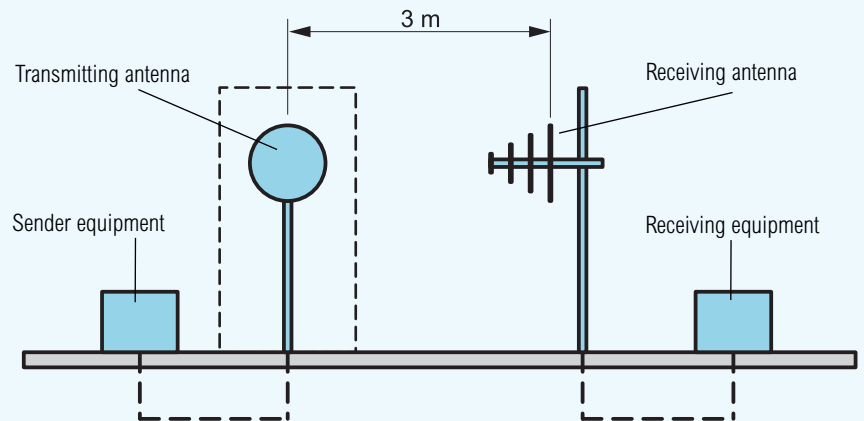
## 5.00 Electromagnetic shielding performance tests

EMC is the ability of electrical and electronic equipment to function satisfactorily within its electromagnetic environment, without disturbing, or being affected by, other equipment in this environment to an acceptable degree.

### 5.00



**Figure 26**



The IEC 61587-3 describes three levels of electromagnetic shielding performance. The specified test conditions and attenuation levels will simplify the selection of enclosures like cabinets and sub racks for the user.

Above figure illustrates the set-up for the antennas. The first measurement E1 will be without the enclosure. The next measurement E2 will be made with the transmitting antenna installed inside the enclosure. The difference between the received signal without and with the enclosure represents the shielding effectiveness in dB.

**Table 10**

Performance Level	30 MHz - 230 MHz	230 MHz - 1000 MHz	1000 MHz - 2000 MHz
1	20 dB	10 dB	0
2	40 dB	30 dB	20 dB
3	60 dB	50 dB	40 dB

Above table reflects the three performance levels with the corresponding attenuation values dependent from the frequency range. Shielding effectiveness  $SE = E1 - E2$ .



## 6.00 Safety requirements

### 6.01 Safety requirements, IEC 60950 IEC 61010



Earthing of removeable parts in a cabinet



6.00

Subrack with perforated covers against hazardous voltages. Plastic guide rails self-extinguishing class UL 94 V0.

#### **Shock hazard voltages:**

All conductive parts of a mechanical enclosure that can be contacted by hazardous voltage shall be earthed and tested to IEC 61010-1.

#### **Mechanical and heat hazards:**

Mechanical parts of an enclosure system shall be free from sharp edges to prevent injuries. Heat generating components accessible by an operator shall be enclosed or insulated.

#### **Fire protection:**

Design and materials of the enclosure system shall be chosen in order to prevent propagation of fire. Plastic material shall comply with self-extinguishing class V 2 (or better), tested to IEC 60707. Because of the toxic additives contained in materials of higher self-extinguishing classes, ISO 14000 should be regarded. The cover of an enclosure system shall be designed to prevent burning material from dripping into other parts of e. g. a cabinet. IEC 60950 specifies the design requirements for ventilation holes on the bottom part of a cover.



## 6.02 IP degrees of protection

IEC 60529 specifies the IP degrees of protection of enclosures against dust and water as well as the protection of personnel against dangers inside the enclosure. The IP degrees of protection consist of two digits. The first digit

indicates the protection against foreign bodies (touch with the finger up to dust), the second digit indicates the protection against water.

Table 11

Protection against contact and foreign bodies			
IP 1st digit	Contact	Foreign bodies	
0	no protection	no protection	
1	with large parts of the body (back of the hands)	large foreign bodies, diameter greater than or equal to 50 mm	
2	with a finger	medium-size foreign bodies, diameter greater than or equal to 12 mm	
3	with tools and wires, diameter greater than or equal to 2.5 mm	small foreign bodies, diameter greater than or equal to 2.5 mm	
4	with tools and wires, diameter greater than or equal to 1 mm	grain-shaped foreign bodies, diameter greater than or equal to 1 mm	
5	complete protection	dust deposit	
6	complete protection	ingress of dust	

Protection against water		
IP 2nd digit		
0	no protection	
1	vertically falling drops of water	
2	obliquely falling drops of water up to 15° towards vertical	
3	spray water up to 60° towards vertical	
4	splash water from all sides	
5	jets of water	
6	powerful jets of water	
7	partial immersion	
8	immersion	

### Application aspects

How to specify enclosures with regard to the environmental conditions and in respect to the safety requirements for the operating personnel?

In the worst case the environmental conditions inside of a building may consist of the impact of sprinklers and dust generated from industrial processes. To protect the equipment inside of an electronic/electrical cabinet from these conditions, most likely IP 43 would be applicable. The

safety requirements for the protection of the operating personnel would be covered as well since foreign bodies greater 1 mm diameter could not enter the enclosure. For indoor enclosures IEC 61587-1 suggests IP 54 for worst case conditions.

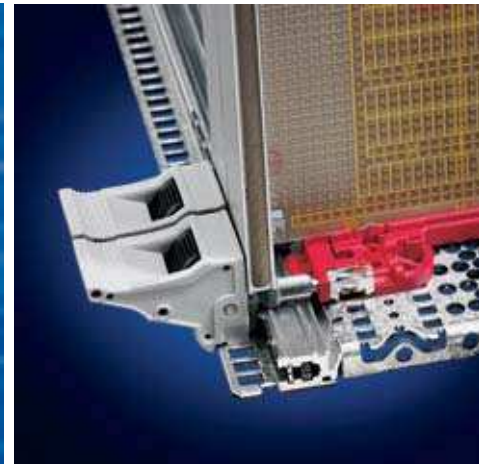
For outdoor enclosures on non-weather protected places IEC 61969-3 suggests IP 55 for worst case conditions.



8.00 VME and CPCI

VME and CPCI are computing architectures developed and specified as open standard platforms. For the mechanical structure on subrack level both systems use common standards: IEC 60297-3-101, -102, -103 IEEE 1101.1, 1101.10 and 1101.11.

8.00



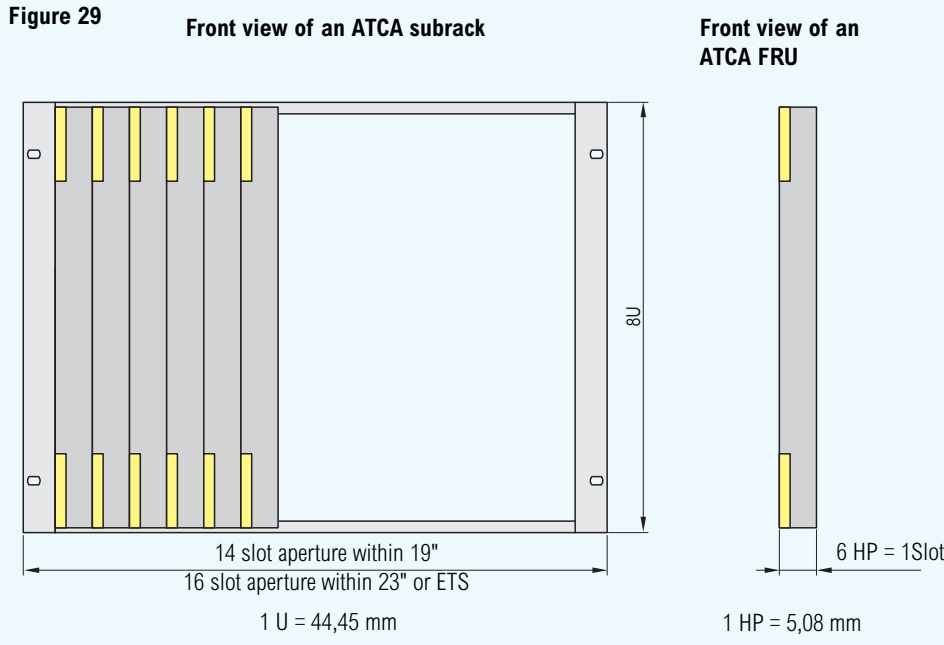
The IEC standards as detailed above contain all details of the mechanical design for VME and CPCI. Compared with IEEE 1101.1 standards it will be found that IEC contents are organised differently.

VME and CPCI both use the Eurocard form factor, that means that the mounting dimensions of the subracks and the pluggable modules are compatible. They differ from each other mechanically in some details like gasketing, keying, lever handles and connectors.

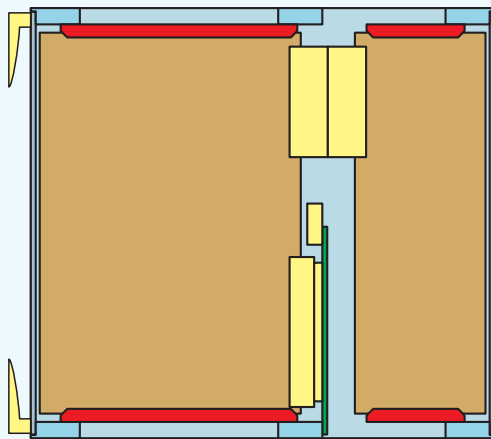
VME uses IEC 60603-2 type connectors (three rows of 32 contacts), VME64x uses IEC 61076-4-113 type connectors (five rows of contacts), together with IEC 61076-4-101 type connectors (2-mm grid with five rows of signals and two GND rows of contacts). Compact PCI uses IEC 61076-4-101 type connectors.

The main features of the mechanical structure are: 3, 6, and 9 U high 19" wide subracks and associated plug-in units. Injector/extractor handles, EMC gaskets for front panels, ESD provision on guide rails, keying and alignment provisions between front panels and subracks and the implementation of RTM's (Rear Transition Modules).

AdvancedTCA® (TCA = Telecom Computing Architecture) is a product specification developed by the PICMG (PICMG = PCI Industrial Computers Manufacturers Group. PCI = Peripheral Component Interconnect).



**Figure 30** Side view cross section: Interconnect of FRU's and RTM's



The dimensions of the mechanical structure for equipment is described in PICMG 3.0. This specification basically defines the dimensions of one slot of a FRU (FRU = Field Replaceable Unit) which is in terms of IEC 60297-3-101, -102, -103 the form factor of a 8 U printed board (H x D = 322.25 x 280 mm). The slot width is 6 x 5.08 mm, or 6 horizontal pitches (HP). The depth of the subrack allows the accommodation of 280 mm deep FRU's and 70 mm deep RTM's (Rear Transition Modules). For the simplicity of the subrack and the plug-in units mechanics some dimensions have been defined differently from the IEC 60297-3-101, -102, -103 standards series, which creates incompatibility between IEC type and ATCA subracks and plug-in units. The ATCA width of the subrack may come in several different versions for mounting in 19", 23" or ETS cabinets. The ATCA specification also contains functional details like ESD, EMC and Hot-swap in conjunction with a special injector/extractor handle.



As a global **Partner for the Electronics Industry** Schroff is best placed.

Schroff is an international company and as such utilises chances for globalisation. Production plant and development sites in Europe, America and Asia make worldwide market competence possible. Decentralised distribution networks with over 50 sites worldwide guarantee the nearness to customers and the optimal fulfilment of local market demands.

Up to date contact addresses of all subsidiaries and agencies can be found in detail on the Internet.



Pentair Enclosures Group and Subsidiaries

[www.schroff.biz](http://www.schroff.biz)

**Schroff GmbH**

Langenalber Straße 96-100  
75334 Straubenhardt  
Deutschland  
Tel. +49 (0)7082 794-0  
[www.schroff.de](http://www.schroff.de)

**Schroff Scandinavia AB**

Flygfältsgatan 11  
12821 Skarpnäck  
Sweden  
Tel. +46 (0) 8 683 61 00  
[www.schroff.se](http://www.schroff.se)

**Schroff GmbH/  
Sp.z.o.o./-oddzial w Polsce**

ul. Marynarska 19A  
PL-02-674 Warszawa  
Poland  
Tel. +48 (0) 22 607 06 16  
[www.schroff.pl](http://www.schroff.pl)

**Pentair Electronics Packaging**

170 Commerce Drive  
Warwick, RI 02886  
USA  
Tel. +1 (401) 732 3770  
[www.schroff.us](http://www.schroff.us)

**Schroff UK Ltd.**

Maylands Avenue  
Hemel Hempstead  
Herts HP2 7DE  
Great Britain  
Tel. +44 (0)1442 240 471  
[www.schroff.co.uk](http://www.schroff.co.uk)

**Schroff Scandinavia AB**

Peräsimentie 8  
03100 Nummela  
Finland  
Tel. +358 9 222 68 00  
[www.schroff.biz](http://www.schroff.biz)

**Schroff K.K.**

Nisso No.13 Bldg. 4F  
Shinyokohama 2-5-1,  
Kouhoku-ku, Yokohama  
222-0033  
Japan  
Tel. +81 (0)45 476 0281  
[www.schroff.co.jp](http://www.schroff.co.jp)

**Pentair Enclosures China**

Longshan Industrial Zone  
Jimo City, Qingdao  
PR China  
Tel. +86 532 658 5975  
[www.schroff.biz](http://www.schroff.biz)

**Schroff SAS**

Z.I., 4 rue du Marais  
67660 Betschdorf  
France  
Tel. +33 (0)3 88 90 64 90  
[www.schroff.fr](http://www.schroff.fr)

**Schroff s.r.l.**

Via Brughiera 1  
20010 Pregnana Milanese (MI)  
Italy  
Tel. +39 02 932 714-1  
[www.schroff.biz](http://www.schroff.biz)

