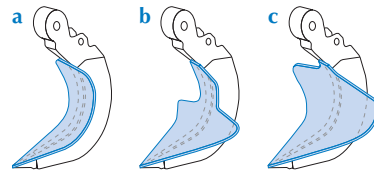


GP200 - GP 250

G951 - G1151 - G1551 - G1850 - G7080

Multi tine grab

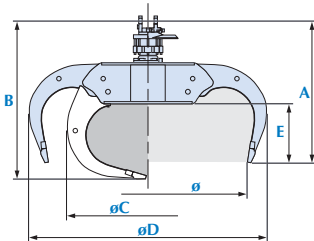
- 1 Choice of free or hydraulic rotation with heavy duty bearings.
- 2 CAD Technology allowed to optimize conception and to use the high tensile steel. The hoses of the innovative new series 50 are protected providing downtime and lower requirements for maintenance.
- 3 Rugged frame construction protecting body, cylinders and joints from shock loads.
- 4 Wide range of tines available in different diameters in two styles to suit your application.
- 5 Abrasion resistant replaceable tips for long life and easy maintenance.



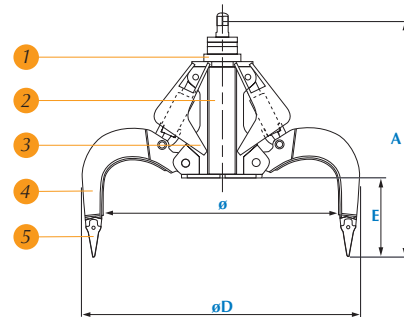
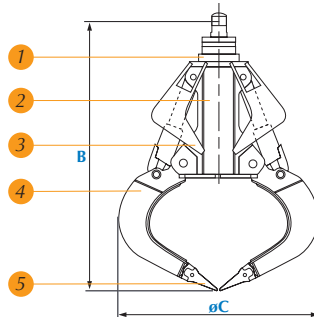
Optional :

3, 4 and 5 tines with full (c) or half closed orange peel (a & b).

GP200 - GP250



G951 - G1151 - G1551 - G1850 - G7080



		t	t	kg	kg	mm	mm	mm	mm	mm	mm	l	bar	l/mn	bar	l/mn	t	tm	
GP 200	Pom	4		410	500	1500	1000	1155	1195	1785	435	270	5	200/300	25/55	320 max.	3/5	6/7	8/15
GP 250	Pom	6		435	525	1500	1045	1200	1195	1785	535	270	5	200/300	25/55	320 max.	7/10	8/10	16/24
G 951	-	6		700	840	1750	1396	1681	1342	1912	430	360	5	320 max.	45/95	320 max.	7/10 max.	12/15	-
G 1151	-	9		1180	1405	1800	1702	1950	1480	2030	550	400	5	350 max.	70/145	200 max.	13/18 max.	16/23	-
				1200	1425	2000	1770	2080	1685	2290	615	660	5	350 max.	70/145	200 max.	13/18 max.	16/23	-
G 1551	-	15		1660	2025	2200	1850	2150	1880	2460	640	800	5	350 max.	95/190	250 max.	18/27 max.	24/30	-
				1705	1925	2350	1890	2235	1960	2616	680	1000	5	350 max.	95/190	250 max.	18/27 max.	24/30	-
G 1850	Roc	20		2600	2930	2400	2085	2430	1770	2700	700	780	5	350 max.	145/285	250 max.	20/30 max.	31/38	-
	Pom			2740	3070	2650	2030	2490	2070	3060	650	1250	5	350 max.	145/285	250 max.	20/30 max.	31/38	-
G 1850	Roc	25		2700	3030	2400	2185	2530	1770	2700	700	780	5	350 max.	145/285	250 max.	24/36 max.	39/45	-
	Pom			2840	3170	2650	2130	2590	2070	3060	650	1250	5	350 max.	145/285	250 max.	24/36 max.	39/45	-
G 7080	-	25		3460	4160	3200	2645	3030	2290	3595	715	2200	5	350 max.	240/480	250 max.	24/36 max.	46/53	-

Your dealer



14, avenue de l'Industrie
F-08013 CHARLEVILLE-MÉZIÈRES Cedex
Tél. : (33) 03.24.33.64.30
Fax : (33) 03.24.33.64.32
E-mail : arden-equipment@arden-equipment.com
www.arden-equipment.fr