



Y.MG325/452 Universal bipolar constant potential X-ray systems



The bipolar 40 kHz X-ray systems feature very high output stability, precise energy setting and extremely fast change over to any selected new value. Any fluctuation or deviation of set values is controlled and corrected within microseconds.

These features make the system an excellent candidate not only for radiographic and radiosopic applications but also for scanning methods like tomography and even in the field of dosimetry.

In addition these features reduce inspection times considerably, an important economic aspect.

The wide range of use calls for a universal, easy to use control system realized in the MGC41. The setup modes are menu driven. All signals, operating mode and fault diagnosis of internal or external errors are displayed in clear text which can be easily displayed in a number of optional languages. Additional error indications are given by numerical codes. Furthermore, 100 technique programs can be stored for future use, and when connected through the serial port interface, an infinite number of programs may be stored on the host computer.

All system components are protected against the influence of dust and water. H.V Generators and Power supplies meet the requirements of IP54.

YXLON. The reason why.

The high energy and high dose rates of the bipolar 4.5 kW systems detailed below can be used for a wide variety of applications ranging from light alloys and thin walled materials of low density to thick walled materials of high density such as 115 mm iron.

■ high output stability ■ short inspection times ■ high reliability ■ easy to use

YXLON. The reason why

MG325

MG452

4,500 W

15-320 kV

20-450 kV

0.2 kV / step

± 1 % of demand value ± 0.2 kV

± 0.01 % of maximum kV-value at a constant temperature

10 V/mA, min. 40 V

80 ppm/°C based on demand value

40 ppm/°C based on demand value (on request 30 ppm/°C possible)

0-22.5 mA

0-15 mA

in 0.05 mA steps from 0.5 mA to maximum value

in 0.01 mA steps from 0.0 mA to maximum value

± 0.2 % of demand value ± 0.01 mA

± 2 µA

50 ppm/°C of demand value (on request: 30 ppm/°C possible)

Keypad selected: selection indicated by large and small symbols on display panel

MGC41: 483 mm x 133 mm x 300 mm; 12.5 kg

MGP41: 340 mm x 350 mm x 628 mm; 45 kg

MGG42 (-) / MGG43 (+)

MGG46 (-) / MGG47 (+)

375 mm x 335 mm x 625 mm

514 mm x 364 mm x 624 mm

80 kg

125 kg

Y.TU 320-D01, Y.TU 320-D03

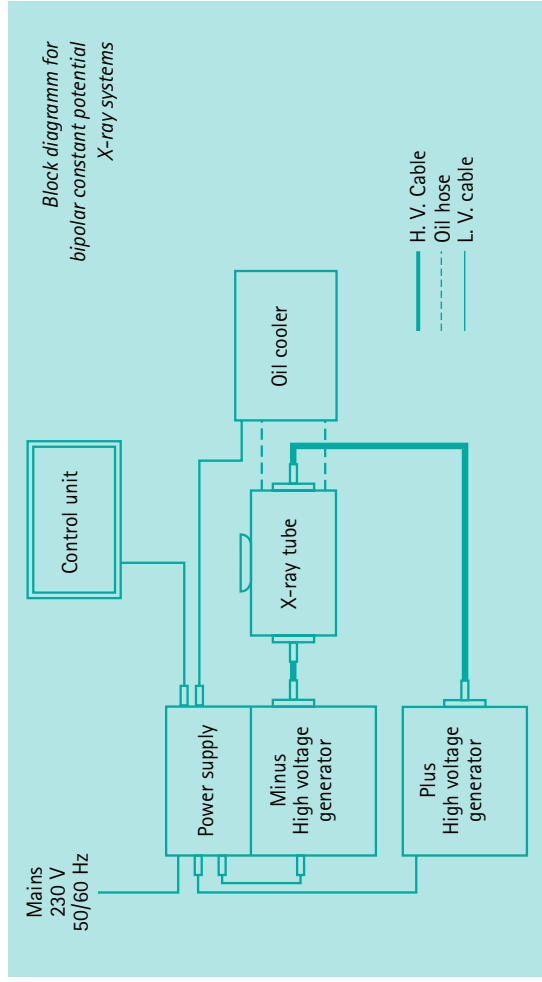
Y.TU 450-D07, Y.TU 450-D08, Y.TU 450-F02

OL4502: Dimensions (WxHxD) : 770 mm x 535 mm x 340 mm; Weight: 60.3 kg

OW4501: Dimensions (WxHxD) : 621 mm x 560 mm x 350 mm; Weight: 65 kg

OLK50: Dimensions (WxHxD) : 1120 mm x 980 mm x 750 mm; Weight: approx. 191 kg

High voltage cable and cooling hoses: standard length: 5 m, optional 10 m / 15 m / 20 m



Manufactured according to and in compliance with the latest safety circuits (international standards) 2002

RoXLON International X-Ray zertifiziert.



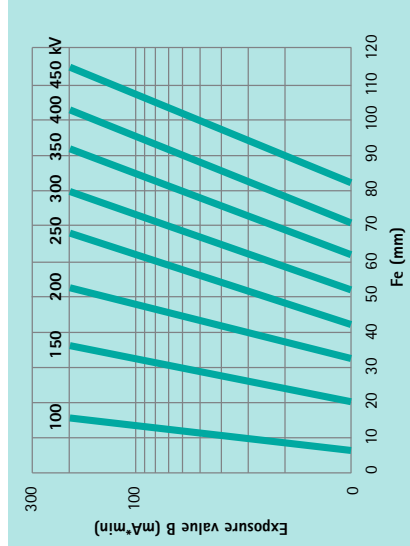
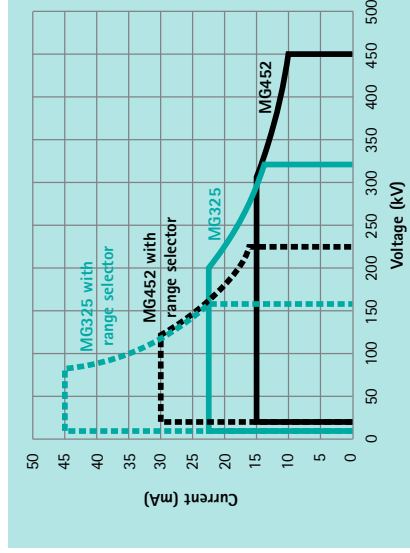
Safety provisions

General

- Two independent, independently monitored safety-circuits (fail-safe, 24 V)
- Continuous system functional monitoring with fully automated system shut-down and failure indication
- Automated filament post-heating H.V. capacitor discharge upon termination
- X-ray ON warning lamp monitoring provided (fail-safe)

Provided connections for:

- External safety circuit for automated systems (24 V)
- H.V. primary circuit interruption for CDRH switch [US-Standard]
- Monitored door lock feature
- External coolant monitoring

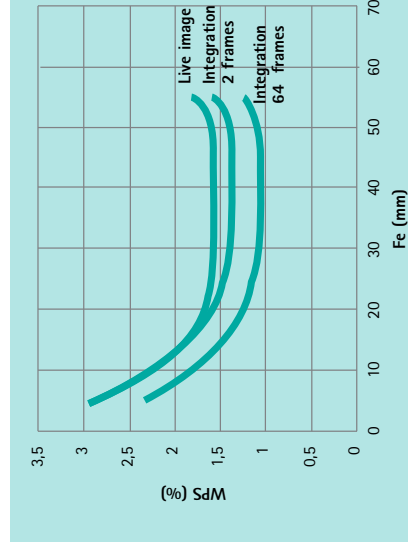


Maximum load characteristics for the systems MG325 / MG452 with and without range selector

The values of voltage and current are conditioned on the preprogrammed tube and will be adjusted by the MGC41

Film exposure chart for Fe up to 450 kV

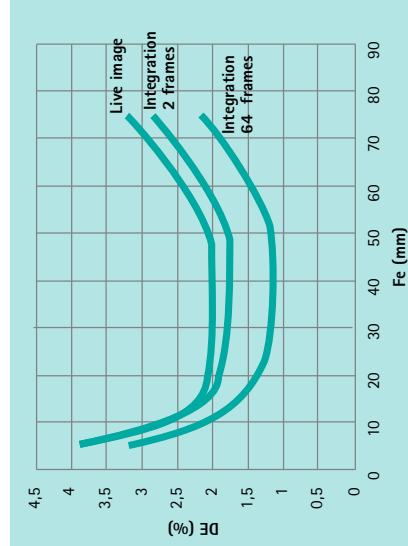
FFD=700 mm;
Film System Class C5 acc. EN 584-1;
Pb-screen 0,02 mm; Density 2,0



Radioscopic wire penetrometer sensitivity (WPS) for Fe [0%]

MG325 with Y.TU 320-D01,

focal spot: 1.9 mm acc. EN 12543 (0.8 acc. IEC336);
Distance focal spot - image intensifier: FDD = 800 mm;
Distance focal spot - object: FOD = 400 mm;
XRS 232: 7" size



Radioscopic wire penetrometer sensitivity (WPS) for Fe [0%]

MG452 with Y.TU 450-D08,

focal spot: 2.5 mm acc. EN 12543 (1.2 acc. IEC336);
Distance focal spot - image intensifier: FDD = 800 mm;
Distance focal spot - object: FOD = 500 mm;
XRS 232: 7" size

Our experience is available for your specific inspection needs today!

Data subject to change without notice.
Printed in Germany, 9495.211.0010.002

YXLON International X-Ray GmbH, Essener Bogen 15, D-22419 Hamburg,
Phone: +49 40 527 29 - 0, Fax: +49 40 527 29 - 170,
E-mail: yxlon@hbgyxlon.com, www.yxlon.com