



# Altendorf WA 80

Quality that's a pleasure to work with.





2

ALTENDORF WA 80



*Altendorf quality "Made in Germany":  
the WA 80 standard configuration.*



## Altendorf: Creator of saws it's a pleasure to work with.



*Altendorf headquarters  
in Minden, Germany.*

■ Over 120 000 users worldwide have experienced the pleasure of working on a real Altendorf sliding table saw. An Altendorf effortlessly responds to whatever you require of it. And Altendorf as a company know exactly how to transpose your requirements into user-friendly solutions. This is as true as ever for the new WA 80. The WA 80 is a product born of all that is best in Altendorf design and technology. It is also built where the top of the range and most powerful Altendorf sliding table saws are produced, at Altendorf's Minden headquarters, the home of the F 45 and F 45 ELMO. Take a good look at this machine – it sets a price/performance benchmark which is unbeatable!



4

ALTENDORF WA 80



*The WA 80 with eye-level control panel: easier to operate, more efficient, more fun.*



## Altendorf WA 80: Quality made in Germany.



*The WA 80 is manufactured exclusively at Altendorf's Minden headquarters, the home of the F 45 and F 45 ELMO.*

■ The Altendorf WA 80 is built on the same production lines as the classic models of the F 45 product range. And with the same high quality standards, so you can be sure that your WA 80 contains only the best Altendorf quality – from the tried and trusted double roller carriage to the high-precision fences and the powerful saw unit. And there's another thing the WA 80 has copied from its "big sisters": you can tailor the machine just as you like for whatever work you do with a range of options such as the eye-level control panel, the fine adjustment on the rip fence or the additional workpiece supports. In view of its attractive basic price, the WA 80 also makes an ideal choice as an entry-level or second machine – yet another reason to anticipate the pleasure of meeting it!



## Essential elements of Altendorf design.

■ **Machine frame.** The WA80 has a torsion-resistant machine frame built in the same way as the machine frames for the F45 series. The frame design ensures very smooth running and stability. The machine frame is fully enclosed with the connection socket for the extraction hose located in an easily accessible central position.



■ **Saw Unit.** The Altendorf saw unit is the engineering heart of all our saws. It is a powerhouse produced with the latest manufacturing technology. The saw shaft runs incredibly smoothly: this is because it is electronically balanced as a fully assembled unit, and extensive use is made of cast components. The high-precision vertical movement of the unit is linear with maintenance-free guide bearings. The robust tilt quadrants incorporate the traditional Altendorf tongue and groove connection system, which allows the whole unit to tilt easily and precisely to exactly the correct angle.



■ **Crosscut fence.** The robustly mounted crosscut fence enables precise cutting of 90° angles. All settings are easy to read off the slanted scales. The flip stops are robust, free of play and are easy to slide individually along the full crosscutting range.



■ **Extraction hood.** The Altendorf extraction and safety hood system boasts a design which ensures optimised airflow. You can switch between narrow and wide hoods in seconds. The hood allows cutting heights of up to 125 mm (with or without scoring unit) and can be swung away fully to one side.



## Features you'll appreciate.



■ **Rip fence.** The rip fence is smooth and precise to adjust. The hard chrome-plated round bar ensures the fence moves smoothly. If you need to divide large panels, you can swing the rip fence away under the level of the machine table.



■ **Machine frame control panel.** All functions are easily accessed on the control panel on the machine frame. You can control the rise/fall and tilt of the main saw blade at the touch of a button. The tilt angle is shown on the digital display.



■ **Scorer (optional).** A scorer prevents chipping out on the underside of laminated panels. The height and lateral position is adjusted manually. Once the height has been set, the scorer can be lowered quickly using the lever on the right. The set height can be restored by resetting the lowering lever. The scorer has an independent 0.75 kW (1 HP) motor and turns at 8200 rpm.

---

### DETAILS:

Sliding table 3 000 mm, cutting length 2 905 mm.

Optional: 2 000 mm, 3 200 mm

Cutting depth 125 mm (with or without scorer), saw blade diameter

max. 400 mm, saw blade drops down completely below table level

Height adjustment: motorised with linear guidance, maintenance-free

Tilt adjustment: motorised up to 45°,

positioning speed: 12 sec. from 0 to 45°

Digital tilt angle display

Cutting width: 1 000 mm on the rip fence. Optional: 800 mm, 1 300 mm

Narrow and wide Altendorf extraction hood, swing away

---

### MOTOR:

Motor rating 5.5 kW (7.5 HP)

Speeds 3 000 / 4 000 / 5 000 rpm

Belt change: simple with release of bracket, easy access to motor

Milling tools up to 15 mm can be used

Scoring unit (optional):

with rapid lowering and mechanical height preset

---

### RIGHT OF THE SAW BLADE:

Ergonomically located recessed grip in machine table

Mechanical stop on rip fence in front of saw blade

Easy to adjust graduated scale

Large support area

---

### LEFT OF THE SAW BLADE:

Precise, robustly mounted crosscut fence for simple setting,

crosscuts to 3 200 mm. Optional: crosscuts to 2 500 mm

Perfectly square connection of cross slide to sliding table

Flip stops with bilateral mountings clamp tightly

to securely hold the set dimension

Easily removable cross slide

Simple adjustment of graduated scales and magnifier for read-off

*The specification of the machine may vary from country to country!*



## Options which give you that little bit more.



■ **Pivoting eye-level control panel.** You can see all the central control functions here at a glance. The control panel can be pivoted so as to be accessible from every operating position to the right and left of the saw blade.



■ **Rip fence with fine adjustment.** Manual fine adjustment enables the rip fence to be adjusted precisely. The fence can be set with pinpoint precision by means of the adjusting screw.



■ **DIGIT X.** A digital cutting width display for the rip fence with manual fine adjustment. This electronic measuring system guarantees rapid, precise adjustment of the rip fence. DIGIT X also offers repeat accuracy: the fence can be moved and then returned to exactly where it was previously. The system is immune to both wear and dust. Dimensions are corrected automatically when the fence is changed from the upright to the flat position.



■ **RAPIDO scoring tool.** The RAPIDO scoring system makes it easier and quicker to adjust the cutting width to match that of the main blade. How quick? About three minutes, max! Compared to working with shims, where you have to take the blade off the machine to alter its width, the RAPIDO saves up to 30 minutes time, as the blade stays on the machine during adjustment. Adjustment is continuous so the RAPIDO can be fine-tuned to match any main blade. Adjustment range: 2.8–3.8 mm.



■ **One-sided mitre fence.** The one-sided mitre fence enables precise cutting of mitres. It is easy to set and can be positioned on the sliding table with the minimum of effort.





## Options which take you to a higher level.



### ■ DIGIT L crosscut fence.

This fence has a digital length display with fine adjustment allowing precise setting to within  $\pm 1/10$  mm over a range from 150–3200 mm. The stop being displayed changes at the touch of a button. Calibration, e.g. after changing saw blades, is quick and easy, all three stop positions being calibrated in a single operation. The electronics are on permanently so they can be used at any time.



■ **DUPLEX double-sided mitre fence.** DUPLEX fences make it possible to cut any angle between 0 and 90° very quickly and exactly. At 45°, the mitre can be cut on both sides of the workpiece without having to adjust the fence. The dimensions are set using a magnifying glass, measuring scale and length compensation scale. Also available as DUPLEX D with digital angle display.



■ **DUPLEX DD.** An exclusive Altendorf development, the DUPLEX DD has been patented worldwide. The high precision DUPLEX DD electronics incorporate automatic length compensation and calculate the distance to the stops as a function of the angle on both sides of the fence and display both figures digitally. All varieties of DUPLEX can be positioned anywhere along the length of the sliding table.



■ **STEG – second support on the sliding table.** Enlarges support area (width: 400 mm) for wider workpieces. Makes it much easier to size large panels.



■ **Manual quick-action clamp.** The manual clamp can be easily positioned on the sliding table and is equally easy to fix. The workpiece is then firmly secured on the table and held firmly against the crosscut fence. This provides extra safety at very little extra cost.



## Technical specifications.

### SLIDING TABLE CUTTING LENGTHS

Maximum cutting lengths when using clamping shoe or crosscut fence

Table length in mm	2000	3000	3200
--------------------	------	------	------

Cutting length in mm	1850	2905	3105
----------------------	------	------	------

Cutting lengths refer to mechanical travel,  
i.e. from end stop to end stop on the sliding table.

### CUTTING HEIGHTS

With or without scoring saw blade

Saw blade diameter (mm)	250	300	315	350	400
-------------------------	-----	-----	-----	-----	-----

Cutting heights, vertical (mm)	0-50	0-75	0-82	0-100	0-125
--------------------------------	------	------	------	-------	-------

Cutting heights at 45° (mm)	0-33	0-50	0-56	0-70	0-87
-----------------------------	------	------	------	------	------

### MACHINE WEIGHT

1000kg

### TABLE HEIGHT

910 mm

### SPACE REQUIREMENTS

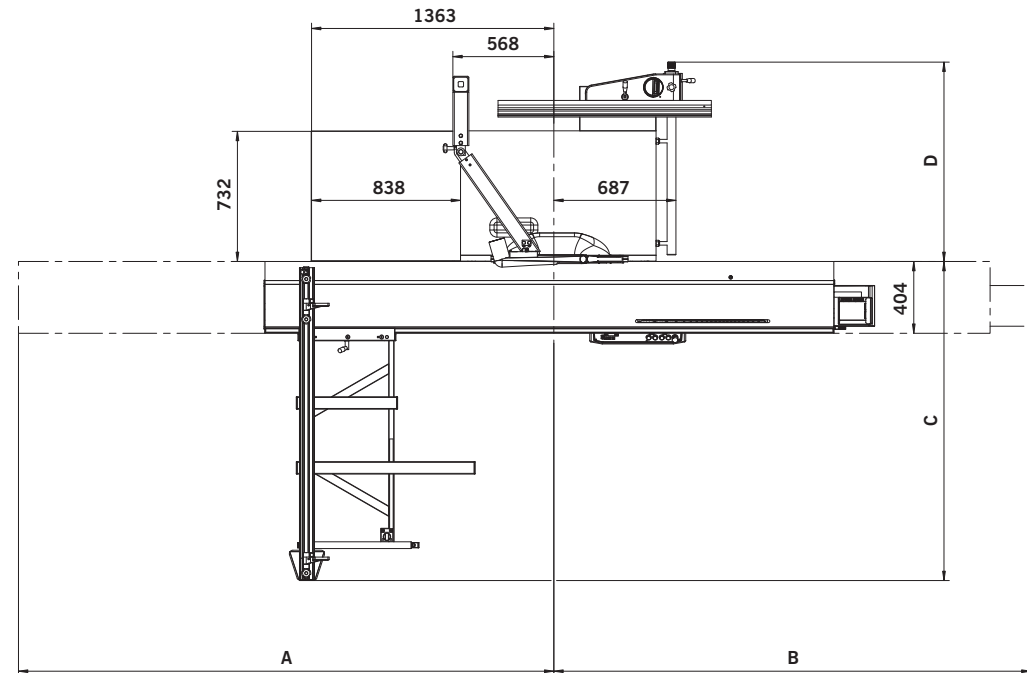
A Sliding table length + 290 mm

B Sliding table length + 360 mm

C Crosscut fence stops to 2500 mm: 1445 – max. 2630 mm

Crosscut fence stops to 3200 mm: 1800 – max. 3350 mm

D Cutting width + 310 mm



All machines illustrated are CE models.

Some illustrations of machines depict special equipment  
which is not included in the basic price.

The specification of the machine may vary from country to country.

Right of technical modification reserved.

© ALTENDORF® 2007



