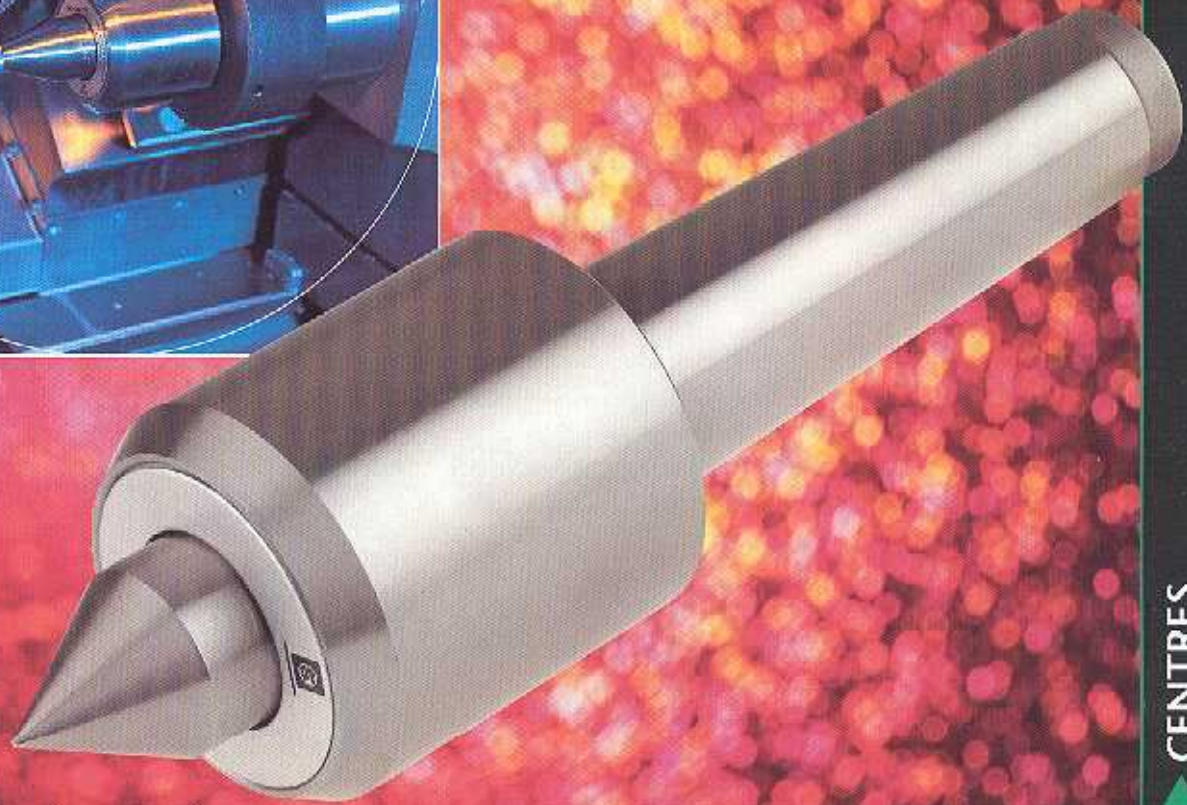
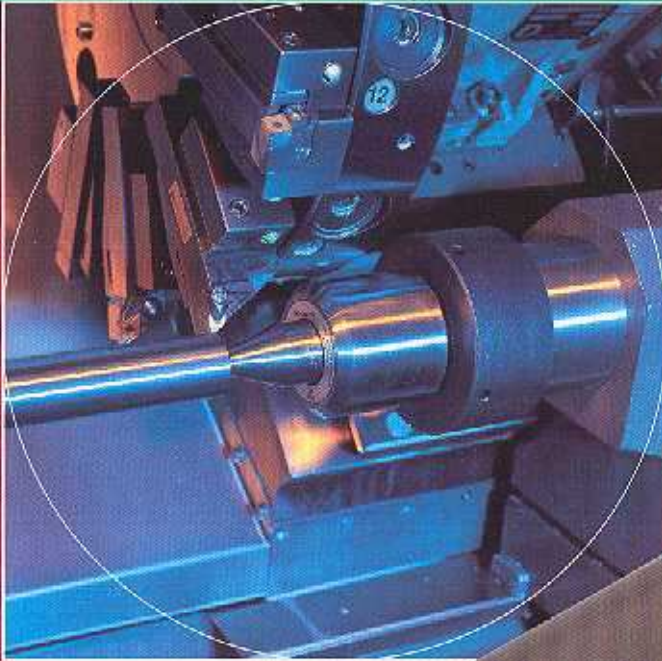




**CENTRES**

**Craftsman Tools**



**CENTRES**

**► The Universal Solution to  
all Centre Applications**



**Craftsman Tools**

## Rotating Centres

*Rotating Centres with a difference*



With modern machines operating at greater speeds, feeds and general load carrying capabilities, the demand for top quality workholding devices has never been greater.

Craftsman rotating centres have been specifically designed for use on modern CNC machines. After careful research, the best and most desirable features have been built-in so that an apparent small range will be more than adequate for most purposes. High precision, high load carrying capacity and long life can be assured.

Why not use these reasonably priced centres on conventional machines as well as CNC.

## Why Craftsman Centres?

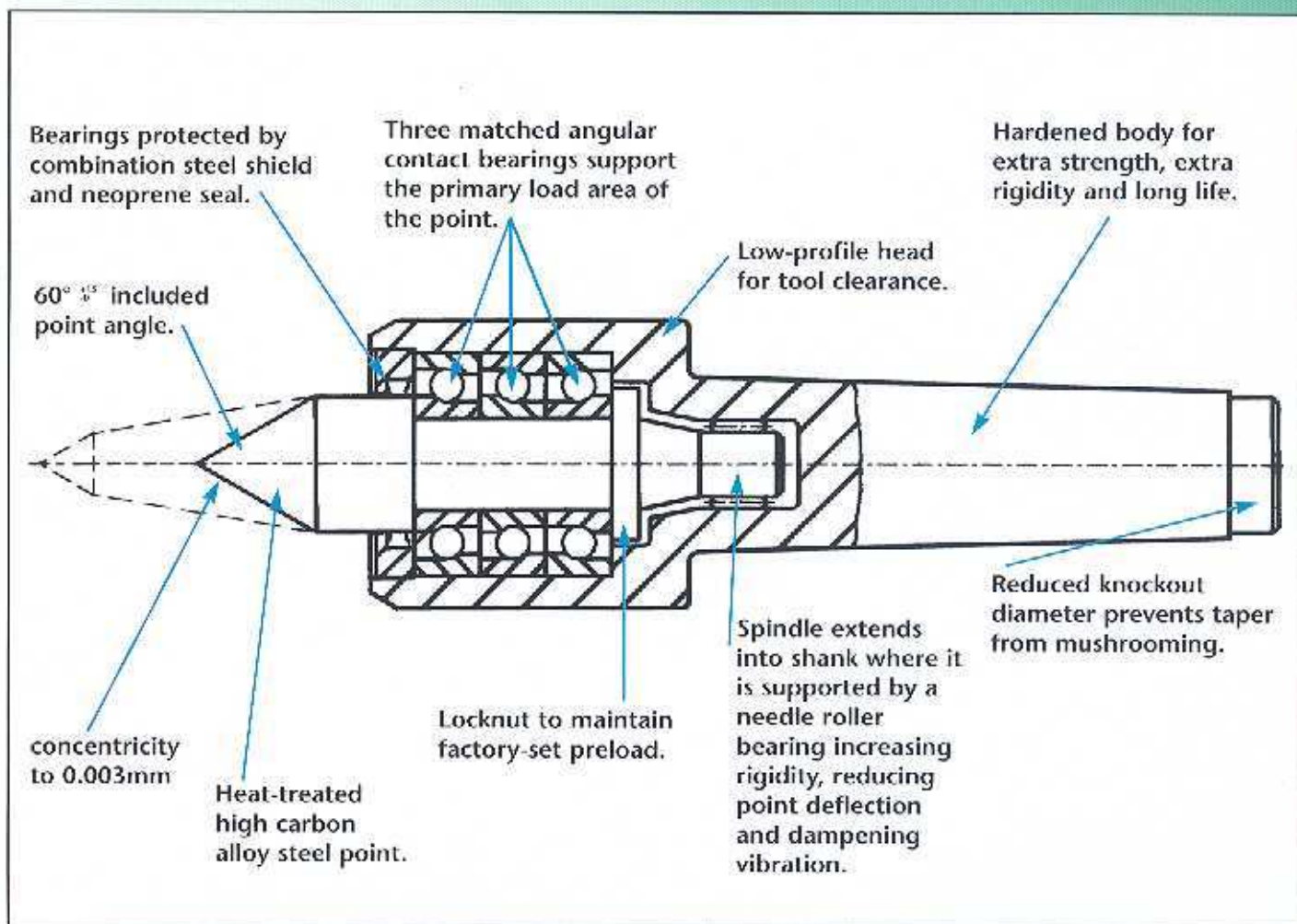
*Better by design and manufacture*

- ▶ specially designed for CNC lathes
- ▶ low profile body increases tool accessibility
- ▶ highest precision to 0.003mm
- ▶ high speed running to 8000 rpm
- ▶ heavy duty: 5MT capable of supporting 1000kg
- ▶ over 4000 sold with Mazak machines
- ▶ pre-loaded matched sets of ultra precision angular contact bearings
- ▶ lubricated for life with specially formulated grease with very low churning effect minimises bearing temperature rise, controls thermal distortion and maintains running accuracy
- ▶ protected against ingress of dirt by double lip, vented sealing system with high efficiency and very low friction
- ▶ finest quality components - body, shank & spindle hardened (HRC 60/62) & ground
- ▶ needle roller bearing in shank to increase rigidity, reduce point deflection and dampen vibration
- ▶ gives superior finishes and improves productivity and efficiency of machine tools
- ▶ the company is ISO 9001 approved



## Design Features

Craftsman Tools



## The Craftsman Tools Guarantee:

*investment in satisfaction*

Craftsman Tools backs its products with quality, delivery, service and customer satisfaction. With over twenty five years experience in the design of rotating centres, Craftsman Tools has developed the highest levels of expertise in this very special product. Our commitment to providing the highest standard of service does not end with the sale. We want your investment in Craftsman Tools Rotating Centres to give total satisfaction.

### Craftsman Tools Guarantee - 100 Day, 100% Guarantee

- ▶ All Craftsman Tools Centres are 100% guaranteed for 100 days. In the unlikely event of failure as a result of defects in material or workmanship, within the first 100 days, we will replace the part.  
(Does not apply to centres which have been modified by the user or another party).

### Craftsman Tools Repair Service

We expect a Craftsman centre to give many years of trouble free service. From time to time due to extreme circumstances, such as machine collisions, a centre will require repair.

- ▶ Upon receipt, Craftsman Tools rotating centres will be rebuilt to "Like New" condition at 60% of the cost of a new centre. This is total reconditioning which includes:
  - ▶ New spindle
  - ▶ New seal
  - ▶ Return to original accuracy
  - ▶ Approximate two week delivery
  - ▶ New bearings
  - ▶ New lubricant

If a Craftsman Tools Rotating Centre is determined to be beyond practical repair, for any reason, a preferred customer trade-in allowance of 25% will be allowed toward the purchase of an equivalent new centre at the time of purchase.



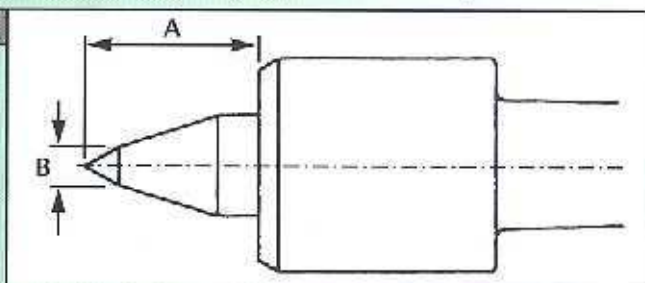
## Options

Craftsman Tools

Various options are available to enhance the effectiveness or working life of a centre. Specials are designed and built to customer requirements. Also available with Jarno and Brown & Sharp tapers, as well as parallel shanks.

### Extended Spindle

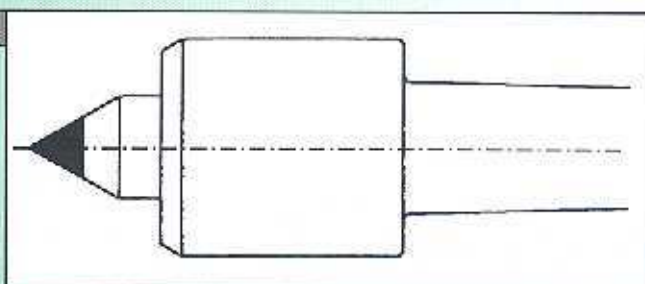
Centre Type	Order Ref.	A	B
CNC	RC-4MTCNC-E	41	14
	RC-5MTCNC-E	63	20
	RC-6MTCNC-E	114	23
EXTRA HEAVY DUTY	RC-4MFXHD-E	53	14
	RC-5MFXHD-E	67	20
	RC-6MFXHD-E	114	23
	RC-7MFXHD-E	139	27



### Carbide Tipped

Centre Type	Order Ref.
CNC	RC-4MT-CNC-C
EXTRA HEAVY DUTY	RC-4MTXHD-C

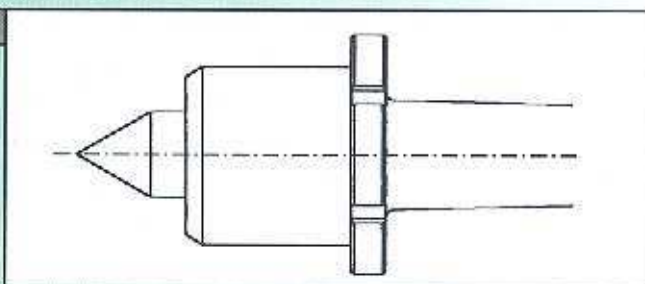
\*State size of taper.



### Retract Nut

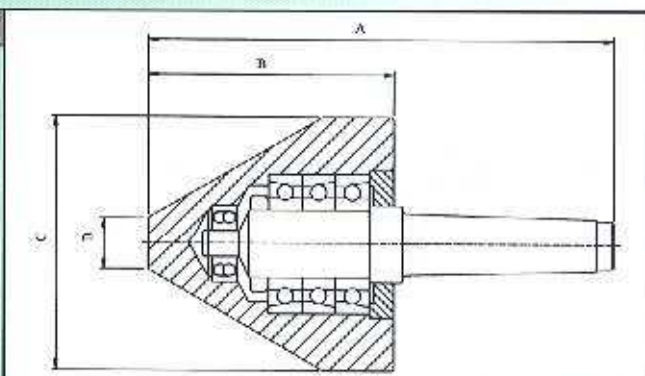
Centre Type	Order Ref.
CNC	RC-4MT-CNC-H
EXTRA HEAVY DUTY	RC-4MTXHD-R

\*State size of taper.



### Bull Nose

Standard Sizes	Order Ref.	Workpiece Weight MAX. Kg	Concentric Error MAX. T.I.R.	Speed MAX. RPM	A	B	C	D
Normal Rating								
No.4 MORSE TAPER	PBN4	1000	0.003	7000	220	108	110	27
No.5 MORSE TAPER	PRN5	1700	0.003	6000	251	120	135	30
No.6 MORSE TAPER	PDN6	2900	0.003	5000	334	140	165	50
Heavy Duty								
No.4 MORSE TAPER	PBX4	1800	0.003	8500	237	125	130	27
No.5 MORSE TAPER	PBX5	2400	0.003	6500	281	140	160	38
No.6 MORSE TAPER	PBX6	2700	0.003	5000	358	160	195	50



### Dead Centres

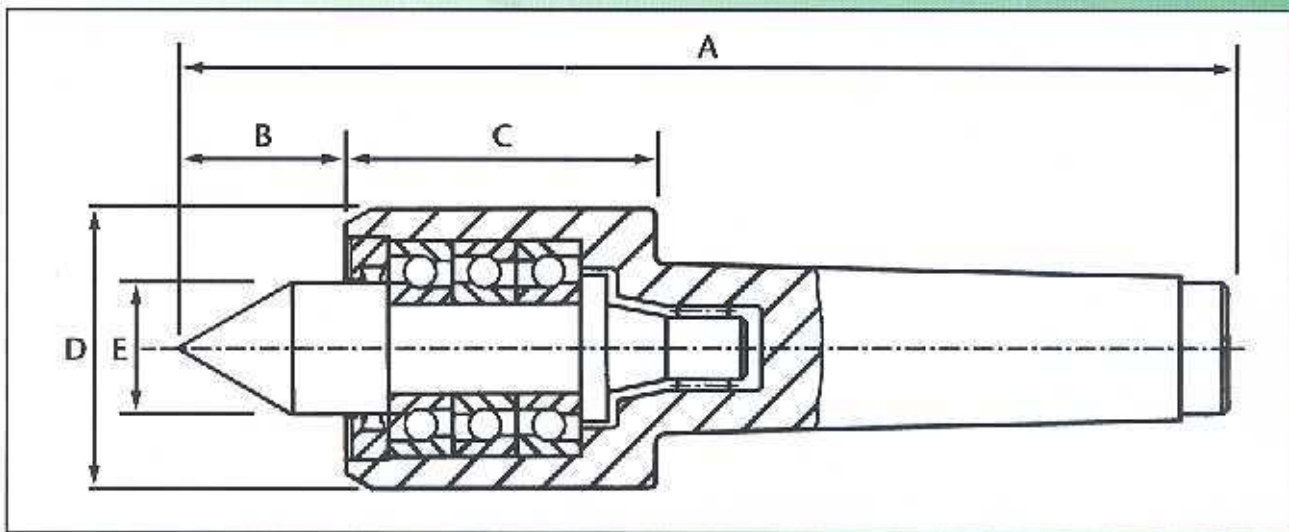
A No.4 Morse Taper dead centre is available as standard. Other sizes also manufactured to order.





## A Guide to Ordering

Craftsman Tools



Craftsman's centres are primarily designed for CNC lathes but they are more than adequate for use on conventional lathes.

They are more competitively priced than the competition's best and only a few pounds more than a lower quality of centre.

Specially designed for CNC lathes but gives superior surface finishes and improves productivity and efficiency of all types of machine tool.

### RC-MT-CNC

### CNC TYPE

Standard Sizes	Order Ref.	Workpiece Weight MAX. Kg	Concentric Error MAX. T.I.R.	Speed MAX. RPM	A	B	C	D	E
No.4 MORSE TAPER	RC-4MTCNC	600	0.028	8000	188	33	56	53	25
No.5 MORSE TAPER	RC-5MTCNC	1000	0.028	7000	255	50	70	60	36
No.6 MORSE TAPER	RC-6MTCNC	2250	0.028	6000	352	59	99	116	55

When extremely heavy duty application is required then Craftsman offer the following

### RC-MT-XHD

### EXTRA HEAVY DUTY

Standard Sizes	Order Ref.	Workpiece Weight MAX. Kg	Concentric Error MAX. T.I.R.	Speed MAX. RPM	A	B	C	D	E
No.4 MORSE TAPER	RC-4MTXHD	1000	0.003	7000	210	40	64	64	37
No.5 MORSE TAPER	RC-5MTXHD	1800	0.003	6000	250	45	78	82	42
No.6 MORSE TAPER	RC-6MTXHD	2250	0.003	5000	372	59	119	116	55
No.7 MORSE TAPER	RC-7MTXHD	2700	0.003	5000	465	74	142	150	65

Note: Loads rated at 100rpm for 2000 hours

To discuss your application further or to order standard items,  
please ring us on: **+44 (0)1943 466788**

Craftsman Tools Limited  
Side Copse, Pool Road,  
Otley, West Yorkshire,  
LS21 1JE  
U.K.

## Range of Products and Services

### TOOLHOLDING

- ▶ STATIC TOOLHOLDERS
- ▶ COROMANT CAPTO QUICK-CHANGE TOOLHOLDERS
- ▶ POWER DRIVEN TOOLING

### WORKHOLDING

- ▶ EXPANDING MANDRELS & COLLET CHUCKS
- ▶ PRECISION CUBE TYPE WORK-HOLDING SYSTEMS
- ▶ SPECIAL PURPOSE FIXTURES
- ▶ ROTATING & OTHER CENTRES
- ▶ SPECIAL CHUCK JAWS
- ▶ VICES, MANUAL & POWERED
- ▶ WORK STEADIES

### SUB-CONTRACT SERVICES

- ▶ SUB-CONTRACT MACHINING
- ▶ HYDROSTATIC PRESSURE TESTING
- ▶ DESIGN SERVICES



**Craftsman Tools**

Tel: +44 (0)1943 466788  
Fax: +44 (0)1943 850144  
e-mail [centres@craftsmantools.com](mailto:centres@craftsmantools.com)  
web site <http://www.chevintools.com>

CT-CTR1 UK