

Miniature — Elite Series	1.2
Midsized — AC Rated	
• 3100/3200 Series	1.6
• 1500/2500 Series	1.10
• 1600/2600 Series	1.14
General Purpose Rockette — AC Rated	1.20
Large Rocker — 92 Series	1.28
EURO/SR	1.30
Full Size Euro	1.32
ESPORT	1.34
NGR New Generation Rockers	1.38



Rocker Switches



The Power of Reliability

Elite Series Miniature Snap-In Illuminated and Non-Illuminated AC Rocker Switches

DESCRIPTION

The Elite Miniature Rocker Switch Series combines traditional Eaton quality and durable construction into a compact package that fits standard industry panel cut outs.

Elite I

The Elite I switch is ideal for use in electronic instrumentation, data processing, communications, appliance, medical equipment and any application within specifications.

Elite II and III

The Elite II and III offer enhanced ratings and a shallow depth design. The Elite II rocker switches are single pole and the Elite III are double pole configurations.

EP11

This ON-OFF pushbutton compliments the Elite Series (Cat. No. EP11).

SPECIFICATIONS

Ratings:

See selection tables.

Circuits:

Elite I

1PST, 1PDT, 2PST, 2PDT.

Maintained and momentary.

Elite II and III

1PST, 2PST.

Maintained.

EP11

1PST.

Contact Mechanism:

Slow-make/Slow-break butt contact.

Make:

Elite I

On-Off circuit.

100A peak inrush at 250V ac for 4ms.

Elite II and III

On-Off circuit.

100A peak inrush at 125/250V ac for 4 ms.

EP11

Push ON-Off circuit.

Break:

Elite I

6A, 250V ac.

Elite II and III

10A, 125/250V ac.

EP11

10(6)A, 250V ac; 15A, 125V ac.

Contact Material:

Elite I

Silver inlay over copper.

Elite II and III

Silver on nickel.

Contact Resistance:

10 mΩ max. at 1A, 4V dc.

HOW TO ORDER — ELITE I NON-ILLUMINATED

To determine your **Complete Catalog Number**, you must start with the appropriate **Base Circuit Number** and add the appropriate **Code Letters** and/or **Numbers** as in the example below:

Start with this Base Circuit Number	...add each appropriate Code Number or Letter...				...to get to your Complete Catalog Number
Base Circuit Catalog Number	Base & Bezel Color	Rocker Color	Termination Type	Legend (optional)	Complete Catalog Number
E112M	1	2	J	01	E112M12J01

ELITE I NON-ILLUMINATED SELECTION TABLE (BOLD FACE TYPE INDICATES ITEMS NORMALLY IN DISTRIBUTOR STOCK)

Rating	Poles and Throw	Circuit with Rocker in			BASE CATALOG NUMBER	CIRCUIT NUMBER SEE PAGE 4.29	CODE LETTERS AND NUMBERS — ADD TO BASE CIRCUIT NUMBER									
		UP Position	CENTER Position	DOWN Position			Finish		Base & Bezel Color		Rocker Color		Termination Type		Legend (optional)	
							Type	Code	Color	Code	Color	Code	Termination	Code	Type	Code
NON-ILLUMINATED																
8A, 125V ac 1/4 Hp, 125V ac 6A, 250V ac 1/2 Hp, 250V ac 6(4)A, 250V ac	1 P.S.T.	ON	NONE	OFF	E110	1	Matte	M	Black	1	Black	1	Solder	B		01
		ON*	NONE	OFF	E111	3										
		ON	NONE	OFF*	E115	4										
	1 P.D.T.	ON	NONE	ON	E112	5										
		ON	NONE	ON*	E113 ●	7										
		ON	OFF	ON	E114	6										
	2 P.S.T.	ON	NONE	OFF	E120	10										
		ON*	NONE	OFF	E121	11										
ON		NONE	OFF*	E125	12											
2 P.D.T.	ON	NONE	ON	E122	13											
	ON	NONE	ON*	E123 ●	15											
	ON	OFF	ON	E124	14											
								White	2	White	2	4.8 Tabs/ .187" Quick-Connect	J		02	
								Red	3	Red	3				07	

* Momentary Contact

● Availability is limited. For more information, contact your Eaton Sales Representative.

Mechanical Life:

50,000 cycles min.

Insulation Resistance:

100 MΩ min.

Terminal Types:

Elite I, II and III

Standard —
4.8mm Tabs/.187”
Quick-connect.

Optional — Solder lug.

EP11

Spade Terminals — Brass.

Termination Material:

Elite I

4.8mm Tabs/.187” Quick-connect terminals: 1 and 2, copper; 1A and 2A, brass.

Solder Lugs — Copper fine silver plated.

Elite II and III

Silver on brass.

Mounting:

See dimensions.

Operating Temperature Range:

0°C to 85°C
(+ 32°F to + 185°F).

Dielectric Withstand:

1000V RMS minimum.

Options:

Elite I, II and III

• Pad printed legends on rocker and bezel.

• Special and matched colors.

• Transparent dust seal.

EP11

• Various button colors.

Approvals:

UL File: E24354 or E118, WOYR2.

CSA File: LR10538 or 45995.

VDE Listing: 36088 or 6498-440.

BEAB, SEMKO, DEMKO, NEMKO, FEMKO, IMQ, KEMA, UTE.

For information on optional features, contact your Eaton Sales Representative.



E110M12J



E120MG21J07

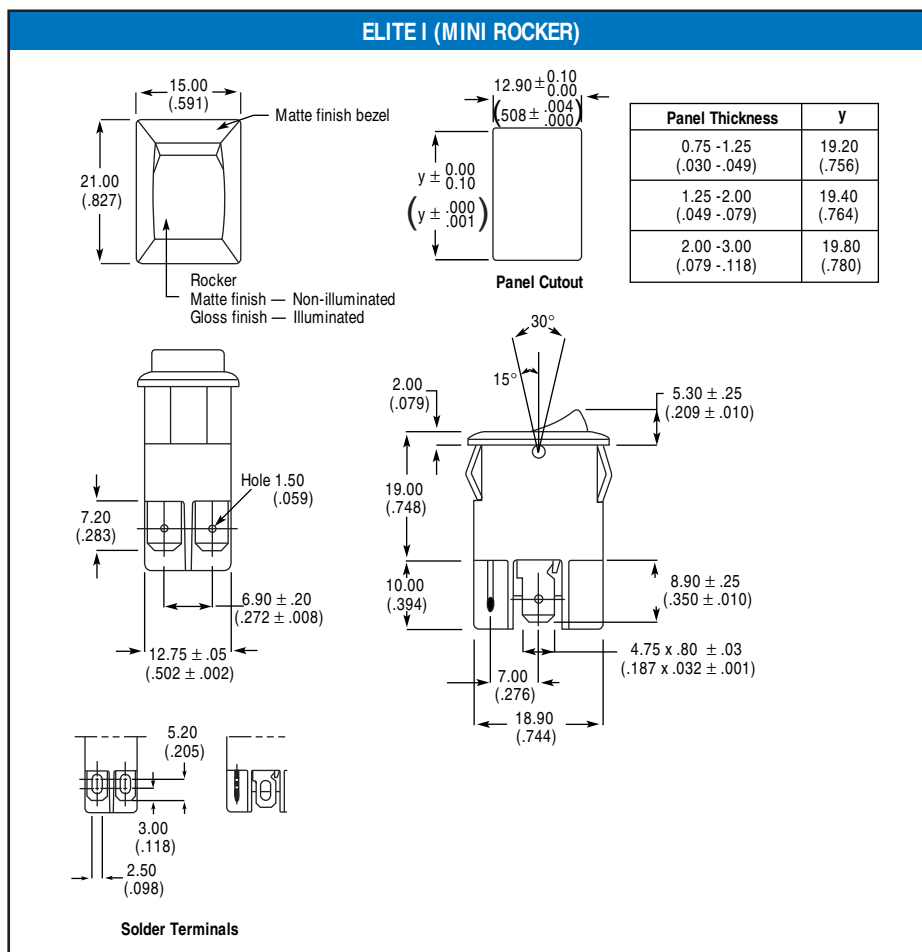


E30M11J01



EP11

DIMENSIONS APPROXIMATE IN MM (INCHES)



Elite Series Miniature Snap-In Illuminated and Non-Illuminated AC Rocker Switches (continued)

HOW TO ORDER — ELITE I ILLUMINATED

To determine your **Complete Catalog Number**, you must start with the appropriate **Base Circuit Number** and add the appropriate **Code Letters** and/or **Numbers** as in the example below:

Start with this Base Circuit Number	...add each appropriate Code Number or Letter...					...to get to your Complete Catalog Number
Base Circuit Catalog Number	Lens/Rocker Color	Lamp Voltage	Base & Bezel Color	Termination Type	Legend (optional)	Complete Catalog Number
E110M	W	2	3	J	01	E110MW23J01

ELITE I ILLUMINATED SELECTION TABLE (BOLD FACE TYPE INDICATES ITEMS NORMALLY IN DISTRIBUTOR STOCK)

Rating	Poles and Throw	Circuit with Rocker in			BASE CATALOG NUMBER	CIRCUIT NUMBER SEE PAGE 4.29	CODE LETTERS AND NUMBERS — ADD TO BASE CIRCUIT NUMBER										
		UP Position	CENTER Position	DOWN Position			Finish		Lens/Rocker Color		Lamp Voltage		Base & Bezel Color		Termination Type		Legend (optional)
							Type	Code	Color	Code	Color	Code	Color	Code	Termination	Code	Code
ILLUMINATED																	
8A, 125V ac 1/4 Hp, 125V ac 6A, 250V ac 1/2 Hp, 250V ac 6(4)A, 250V ac	1 P.S.T.	ON	NONE	OFF	E110	18	Matte	M	Amber	A	125V Neon	1	Black	1	Solder Lug 4.8mm Tabs/.187" Quick-Connect	B	See legend table below for codes
	2 P.S.T.	ON	NONE	OFF	E120	28			Green	G			White	2			
INDICATOR																	
—	—	Base Catalog Number: E19				32											

HOW TO ORDER — ELITE II AND III NON-ILLUMINATED

To determine your **Complete Catalog Number**, you must start with the appropriate **Base Circuit Number** and add the appropriate **Code Letters** and/or **Numbers** as in the example below:

Start with this Base Circuit Number	...add each appropriate Code Number or Letter...				...to get to your Complete Catalog Number
Base Circuit Catalog Number	Base & Bezel Color	Rocker/Paddle Color	Termination Type	Legend (optional)	Complete Catalog Number
E20M	1	3	J	—	E20M13J

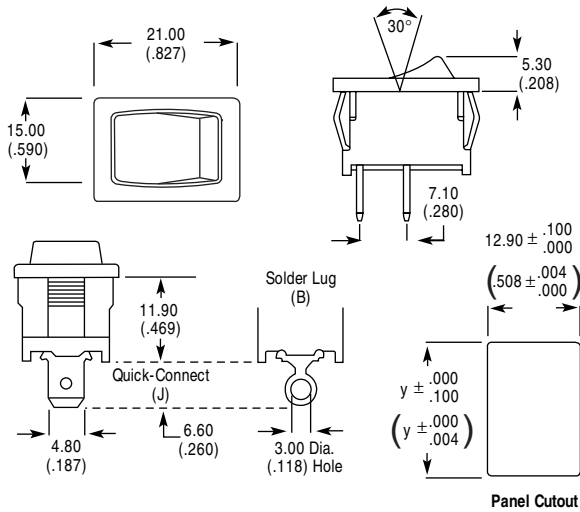
ELITE II AND III NON-ILLUMINATED SELECTION TABLE (BOLD FACE TYPE INDICATES ITEMS NORMALLY IN DISTRIBUTOR STOCK)

Rating	Poles and Throw	Circuit with Rocker in			BASE CIRCUIT		CIRCUIT NUMBER SEE PAGE 4.29	CODE LETTERS AND NUMBERS — ADD TO BASE CIRCUIT NUMBER									
		UP Position	CENTER Position	DOWN Position	Rocker	Paddle		Finish		Base & Bezel Color		Rocker/Paddle Color		Termination Type		Legend (optional)	
					Type	Code		Type	Code	Color	Code	Color	Code	Termination	Code	Type	Code
NON-ILLUMINATED																	
10A, 125V ac 1/4 Hp, 125V ac 10A, 250V ac 1/2 Hp, 250V ac 10(4)A, 250V ac	1 P.S.T.	ON	NONE	OFF	E20	—	1	Matte	M	Black	1	Black	1	Solder Lug 4.8mm Tabs/.187" Quick-Connect	B		01
	2 P.S.T.	ON	NONE	OFF	E30	PE30	10			White	2	White	2				
INDICATOR																	
—	—	Base Catalog Number: E29				32											

① E40 and PE40 are single pole switches supplied in E30 type double pole bases.

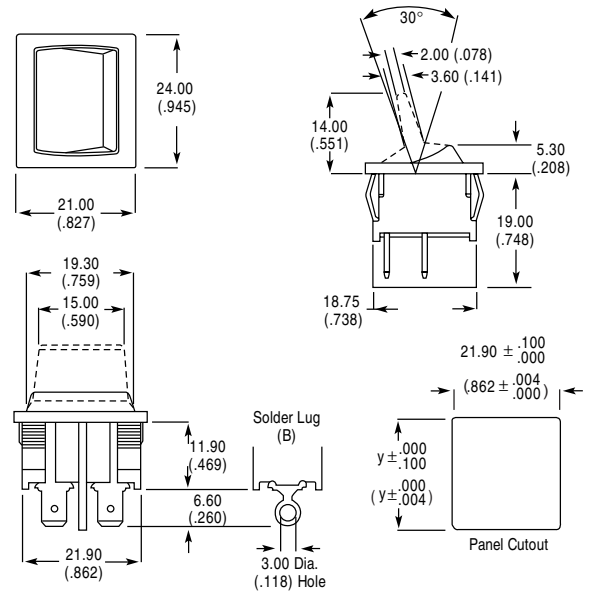
DIMENSIONS APPROXIMATE IN MM (INCHES)

ELITE II (ONE POLE)



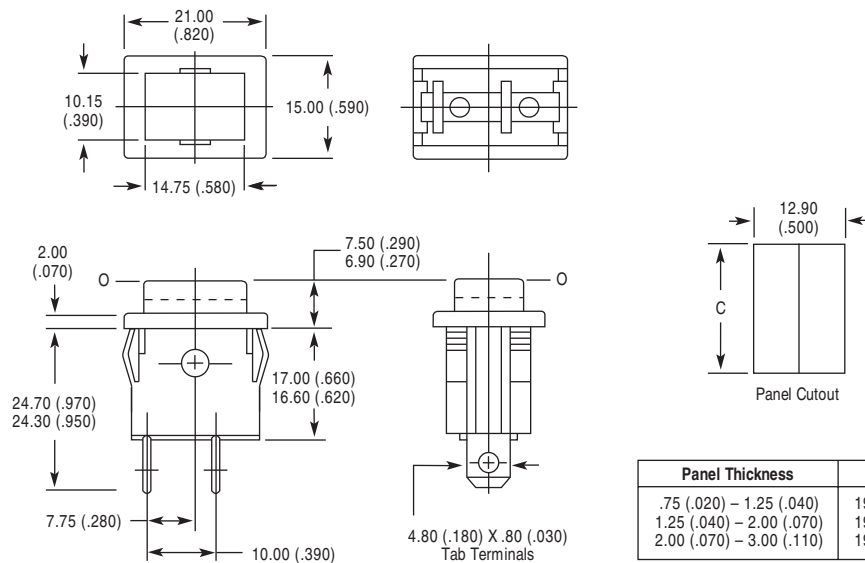
Panel Thickness	y
0.75 - 1.25 (.030 - .049)	19.20 (.756)
1.25 - 2.00 (.049 - .079)	19.40 (.764)
2.00 - 3.00 (.079 - .118)	19.80 (.780)

ELITE III (TWO POLE)



Panel Thickness	y
0.75 - 1.25 (.030 - .049)	19.20 (.756)
1.25 - 2.00 (.049 - .079)	19.40 (.764)
2.00 - 3.00 (.079 - .118)	19.80 (.780)

EP11



Panel Thickness	C
.75 (.020) - 1.25 (.040)	19.20 (.750)
1.25 (.040) - 2.00 (.070)	19.40 (.760)
2.00 (.070) - 3.00 (.110)	19.40 (.760)